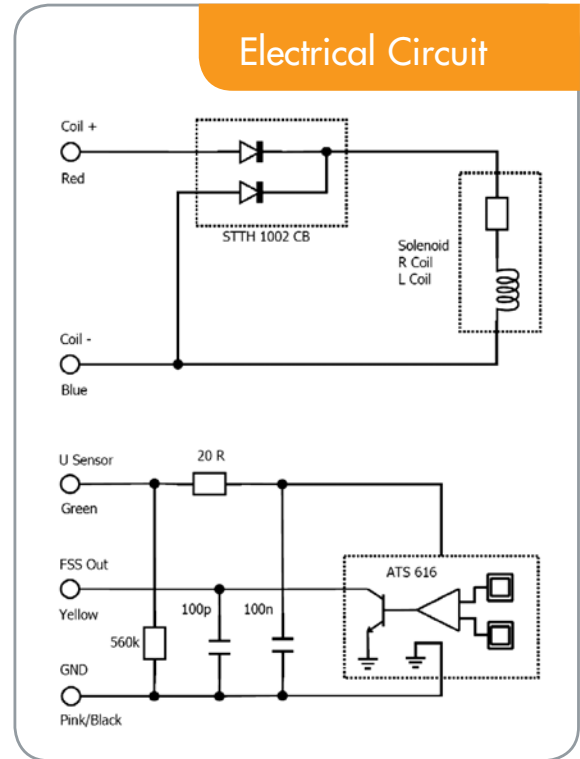
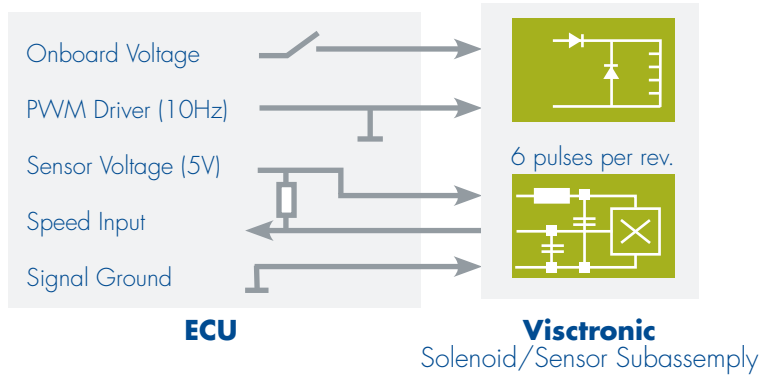


Electrical Data Sensor				
Description	Unit	Min	Typ	Max
Sensor Type	-	ATS 616, Allegro		
U Sensor	V	4.5	5	12
I Sensor	mA	-	6	12
U FSS OUT Low	V	-	0.2	0.4
I FSS OUT	mA	-	-	20
T Ambient	degC	-40	-	135



Electrical Data Solenoid							
Description	Unit	12V			24V		
		Min	Typ	Max	Min	Typ	Max
U Supply	V				20	27	32
U Supply abs. max ¹	V						36
I Supply abs. max ³	A						
R Coil	Ohm						
L Coil (LC meter, Solenoid only)	mH						
L Coil (Pulse measurement, full magnetized fan drive)	mH						
Number of turns	-	-	525	-	-	1045	-
Reverse polarity diode	-	STTH 1002 CB, ST Micro					
Freewheel diode	-						
PWM Frequency	Hz	0	10	50	0	10	50
PWM Duty Cycle	%	0	-	100	0	-	100
T ambient	degC	-40	-	135	-40	-	135

System Integration



System Schematic

