

BorgWarner Supplies Buick with Wet Clutch and Hydraulic Control Module for New 2-Speed Hybrid Transmission

- *Hybrid transmission will be used in Buick's brand new GL8 PHEV van*
- *Modular and lightweight design enhances efficiency and performance*
- *Production started in Q2 2024*

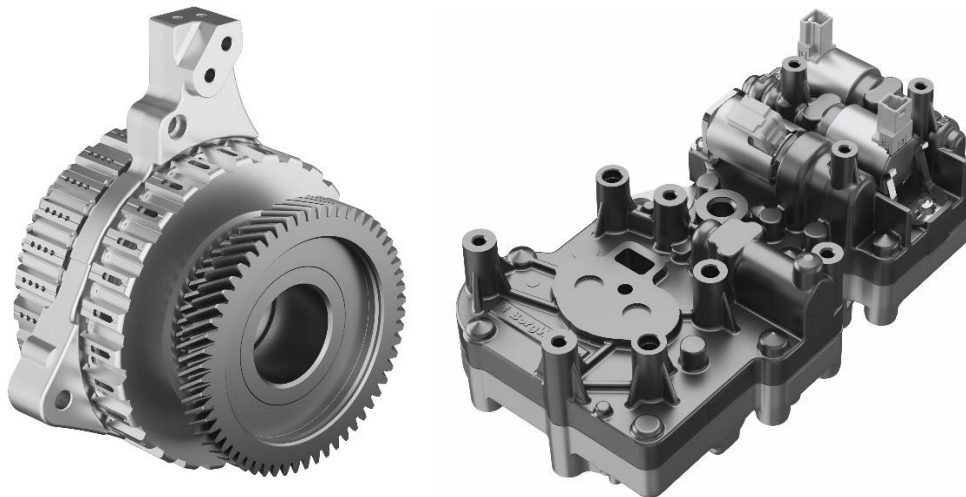
Auburn Hills, Michigan, July 30, 2024 – BorgWarner provides its wet clutch and hydraulic control module for the 2-speed hybrid transmission of Buick's brand new GL8 PHEV van, production began in June 2024. As the first large and medium-sized plug-in hybrid transmission produced by General Motors in China for the Chinese market, BorgWarner's efficiency-enhancing wet clutch and hydraulic control module will contribute to setting a new benchmark for plug-in hybrids.

"The Chinese market for new energy vehicles is rapidly evolving, demanding various innovative technologies. We're delighted to contribute the wet clutch and hydraulic control module for the 2-speed hybrid transmission of Buick's GL8 to enhance its performance," said Isabelle McKenzie, Vice President of BorgWarner Inc. and President and General Manager, Drivetrain and Morse Systems. "This collaboration with Buick not only showcases BorgWarner's technical prowess but also underscores our capability for local R&D in China."

The wet clutch for the 2-speed hybrid transmission enhances system efficiency through low drag torque, featuring a compact axial and radial design, and utilizing BorgWarner's state-of-the-art friction technology to ensure highest reliability. The hydraulic control module for the 2-speed hybrid transmission offers advantages such as a wide pressure adjustment range, high control precision, low leakage, and high efficiency. With a compact and lightweight design, it facilitates clutch pressure control and cooling for the clutch and electrical motor and integrates the tandem E- pump and temperature sensor.

About BorgWarner

For more than 130 years, BorgWarner has been a transformative global product leader bringing successful mobility innovation to market. With a focus on sustainability, we're helping to build a cleaner, healthier, safer future for all.



BorgWarner Wet Clutch (left) and Hydraulic Control Module (right)

Forward Looking Statements: This release may contain forward-looking statements as contemplated by the 1995 Private Securities Litigation Reform Act that are based on management's current outlook, expectations, estimates and projections. Words such as "anticipates," "believes," "continues," "could," "designed," "effect," "estimates," "evaluates," "expects," "forecasts," "goal," "guidance," "initiative," "intends," "may," "outlook," "plans," "potential," "predicts," "project," "pursue," "seek," "should," "target," "when," "will," "would," and variations of such words and similar are intended to identify such forward-looking statements. Further, all statements, other than statements of historical fact, contained or incorporated by reference in this release that we expect or anticipate will or may occur in the future regarding our financial position, business strategy and measures to implement that strategy, including changes to operations, competitive strengths, goals, expansion and growth of our business and operations, plans, references to future success and other such matters, are forward-looking statements. Accounting estimates, such as those described under the heading "Critical Accounting Policies and Estimates" in Item 7 of our most recently filed Annual Report on Form 10-K ("Form 10-K"), are inherently forward-looking. All forward-looking statements are based on assumptions and analyses made by us in light of our experience and our perception of historical trends, current conditions and expected future developments, as well as other factors we believe are appropriate under the circumstances. Forward-looking statements are not guarantees of performance, and the Company's actual results may differ materially from those expressed, projected or implied in or by the forward-looking statements.

You should not place undue reliance on these forward-looking statements, which speak only as of the date of this release. Forward-looking statements are subject to risks and uncertainties, many of which are difficult to predict and generally beyond our control, that could cause actual results to differ materially from those expressed, projected or implied in or by the forward-looking statements. These risks and uncertainties, among others, include: supply disruptions impacting us or our customers, commodity availability and pricing, and an inability to achieve expected levels of recoverability in commercial negotiations with customers concerning these costs; competitive challenges from existing and new competitors, including original equipment manufacturer ("OEM") customers; the challenges associated with rapidly changing technologies, particularly as they relate to electric vehicles, and our ability to innovate in response; the difficulty in forecasting demand for electric vehicles and our electric vehicles revenue growth; potential

BorgWarner Inc. (BorgWarner Supplies Wet Clutch and Hydraulic Control Module for New 2-speed Hybrid Transmission_EN) – 3

disruptions in the global economy caused by wars or other geopolitical conflicts; the ability to identify targets and consummate acquisitions on acceptable terms; failure to realize the expected benefits of acquisitions on a timely basis; the possibility that our 2023 tax-free spin-off of our former Fuel Systems and Aftermarket segments into a separate publicly traded company will not achieve its intended benefits; the failure to promptly and effectively integrate acquired businesses; the potential for unknown or inestimable liabilities relating to the acquired businesses; our dependence on automotive and truck production and is highly cyclical and subject to disruptions; our reliance on major OEM customers; impacts of any future strikes involving some of our OEM customers and any actions such OEM customers take in response; fluctuations in interest rates and foreign currency exchange rates; our dependence on information systems; the uncertainty of the global economic environment; the outcome of existing or any future legal proceedings, including litigation with respect to various claims, or governmental investigations, including related litigation; future changes in laws and regulations, including, by way of example, taxes and tariffs, in the countries in which we operate; impacts from any potential future acquisition or disposition transactions; and the other risks, noted in reports that we file with the Securities and Exchange Commission, including Item 1A, "Risk Factors" in our most recently-filed Form 10-K and/or Quarterly Report on Form 10-Q. We do not undertake any obligation to update or announce publicly any updates to or revisions to any of the forward-looking statements in this release to reflect any change in our expectations or any change in events, conditions, circumstances, or assumptions underlying the statements.

PR contact:

Michelle Collins

Phone: +1 248-754-0449

Email: mediacontact@borgwarner.com