

DESADV Despatch advice message

EDIFACT/D99B/DESADV: DESADV Despatch advice message

Version: 3.0 Final

Author:	Pauline Flanigan
Publication:	9/13/2016
Created:	11/30/2015
Modified:	9/13/2016

Table of Contents

DESADV	Despatch advice message	1
	Branching Diagram	3
UNH	MESSAGE HEADER	4
BGM	BEGINNING OF MESSAGE	6
DTM	DATE/TIME/PERIOD	7
NAD	NAME AND ADDRESS	8
CPS	CONSIGNMENT PACKING SEQUENCE	9
LIN	LINE ITEM	10
PIA	ADDITIONAL PRODUCT ID	11
QTY	QUANTITY	12
RFF	REFERENCE	13
UNT	MESSAGE TRAILER	14

DESADV Despatch advice message

Message Status=3

Definition: A message specifying details for goods despatched or ready for despatch under agreed conditions. The United Nations Despatch Advice Message serves both as a specification for Delivery Despatch Advice and also as a Returns Despatch Advice message. Throughout this document, the reference to 'Despatch Advice' may be interpreted as conveying the wider meaning of 'Delivery Despatch Advice/Returns Despatch Advice'.

Heading:

<u>Pos</u>	<u>Tag</u>	<u>Segment Name</u>	<u>Status</u>	<u>Rep</u>	<u>Notes</u>	<u>Usage</u>
0010	UNH	MESSAGE HEADER	M	1	N1/0010	Must use
0020	BGM	BEGINNING OF MESSAGE	M	1	N1/0020	Must use
0030	DTM	DATE/TIME/PERIOD	C	10	N1/0030	Used
0110		Segment Group 2	C	99	N1/0110	Used
0120	NAD	NAME AND ADDRESS	M	1	N1/0120	Must use

Detail:

<u>Pos</u>	<u>Tag</u>	<u>Segment Name</u>	<u>Status</u>	<u>Rep</u>	<u>Notes</u>	<u>Usage</u>
0390		Segment Group 10	C	9999	N2/0390	Used
0400	CPS	CONSIGNMENT PACKING SEQUENCE	M	1	N2/0400	Must use
0650		Segment Group 17	C	9999	N2/0650	Used
0660	LIN	LINE ITEM	M	1	N2/0660	Must use
0670	PIA	ADDITIONAL PRODUCT ID	C	10	N2/0670	Used
0700	QTY	QUANTITY	C	10	N2/0700	Used
0820		Segment Group 18	C	99	N2/0820	Used
0830	RFF	REFERENCE	M	1	N2/0830	Must use

Summary:

<u>Pos</u>	<u>Tag</u>	<u>Segment Name</u>	<u>Status</u>	<u>Rep</u>	<u>Notes</u>	<u>Usage</u>
1150	UNT	MESSAGE TRAILER	M	1	N3/1150	Must use

Clarification:

- 1/0010 A service segment starting and uniquely identifying a message. The message type code for the Despatch advice message is DESADV. Note: Despatch advice messages conforming to this document must contain the following data in segment UNH, composite S009: Data element 0065 DESADV 0052 D 0054 99B 0051 UN
- 1/0020 A segment for unique identification of the Despatch Advice document, by means of its name and its number.
- 1/0030 Date/time/period related to the whole message. The DTM segment must be specified at least once to identify the Despatch Advice date.
- 1/0110 A group of segments identifying names, addresses, locations, and required supporting documents relevant to the whole Despatch Advice.
- 1/0120 A segment for identifying names, addresses, and their functions relevant to the whole Despatch Advice. Identification of the parties involved is recommended for the Despatch Advice message, and is to be given in the NAD segment. It is recommended that where possible, only the coded form of the party ID should be specified, e.g. the buyer and seller are known to each other, thus only the coded ID is required. The consignee or delivery address may vary and would have to be clearly specified, preferably in structured format.
- 2/0390 A group of segments providing details of all package levels and of the individual despatched items

contained in the consignment. This segment group provides the capability to give the hierarchical packing relationships. The group defines a logical top-down order structure. The lowest level package information of the hierarchy is followed by the detail product information.

- 2/0400 A segment identifying the sequence in which packing of the consignment occurs, e.g. boxes loaded onto a pallet.
- 2/0650 A group of segments providing details of the individual despatched items.
- 2/0660 A segment identifying the product being despatched. All other segments in the detail section following the LIN segment refer to that line item.
- 2/0670 A segment providing additional product identification.
- 2/0700 A segment to give quantity information concerning the product.
- 2/0820 A group of segments to give reference numbers and dates.
- 2/0830 A segment identifying documents related to the line item.
- 3/1150 A service segment ending a message, giving the total number of segments in the message (including the UNH & UNT) and the control reference number of the message.

BorgWarner Note:

About this DESADV:

The Vendor can populate valid fields other than what BorgWarner will be using as long as the structure within this document is adhered to for the requested information. However, only the fields listed in this document will be used internally.

Change Log:

2016-09-13 Pauline Flanigan Version 3 Ready for Publication

1. Group 2 NAD

- Added Party ID for CN, SU, ST as optional

2016-08-17 Pauline Flanigan Version 2 Ready for Publication

1. Group 17 LIN

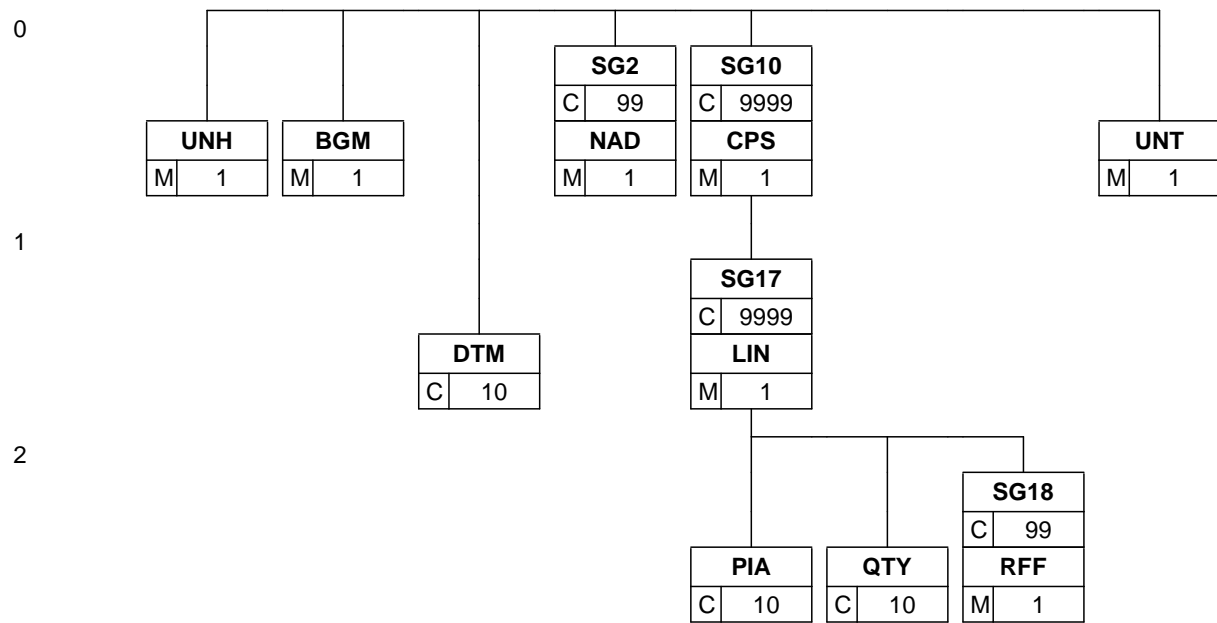
- C212_7140 Item number is now mandatory

2. Group 18 RFF

- C506:1154 Reference Identifier is now mandatory

2015-12-10 Pauline Flanigan Final Version Ready for Publication

Branching Diagram: DESADV(Despatch advice message)



UNH MESSAGE HEADER

Pos: 0010	Max: 1
Mandatory	
Group: N/A	Elements: 2

User Option (Usage): Must use

Function: To head, identify and specify a message.

Element Summary:

<u>Ref</u>	<u>Tag</u>	<u>Element Name</u>	<u>Status</u>	<u>Type</u>	<u>Min/Max</u>	<u>Usage</u>
UNH010	0062	Message reference number	M	an	1/14	Must use
		Description: Unique message reference assigned by the sender.				
UNH020	S009	MESSAGE IDENTIFIER	M	Comp		Must use
		Description: Identification of the type, version, etc. of the message being interchanged.				
UNH020-010	0065	Message type	M	an	1/6	Must use
		Description: Code identifying a type of message and assigned by its controlling agency.				
		CodeList Summary (Total Codes: 180, Included: 1)				
		<u>Code</u>	<u>Name</u>			
		DESADV	Despatch advice message			
		Description: A code to identify the despatch advice message.				
UNH020-020	0052	Message version number	M	an	1/3	Must use
		Description: Version number of a message type.				
		CodeList Summary (Total Codes: 8, Included: 1)				
		<u>Code</u>	<u>Name</u>			
		D	Draft version/UN/EDIFACT Directory			
		Description: Message approved and issued as a draft message (Valid for directories published after March 1993 and prior to March 1997). Message approved as a standard message (Valid for directories published after March 1997).				
UNH020-030	0054	Message release number	M	an	1/3	Must use
		Description: Release number within the current message version number.				
		CodeList Summary (Total Codes: 20, Included: 1)				
		<u>Code</u>	<u>Name</u>			
		99B	Release 1999 - B			
		Description: Message approved and issued in the second 1999 release of the UNTDID (United Nations Trade Data Interchange Directory).				
UNH020-040	0051	Controlling agency, coded	M	an	1/3	Must use
		Description: Code identifying a				

<u>Ref</u>	<u>Tag</u>	<u>Element Name</u>	<u>Status</u>	<u>Type</u>	<u>Min/Max</u>	<u>Usage</u>
		controlling agency.				

CodeList Summary (Total Codes: 25, Included: 1)

Code Name

UN UN/CEFACT

Description: *United Nations Economic UN Economic Commission for Europe (UN/ECE), Committee on the development of trade (TRADE), Working Party on facilitation of international trade procedures (WP.4).*

Notes:

1. Data element S009/0057 is retained for upward compatibility. The use of S016 and/or S017 is encouraged in preference.
2. The combination of the values carried in data elements 0062 and S009 shall be used to identify uniquely the message within its group (if used) or if not used, within its interchange, for the purpose of acknowledgement.

BGM BEGINNING OF MESSAGE

Pos: 0020	Max: 1
Mandatory	
Group: N/A	Elements: 2

User Option (Usage): Must use

Function: To indicate the type and function of a message and to transmit the identifying number.

Element Summary:

<u>Ref</u>	<u>Tag</u>	<u>Element Name</u>	<u>Status</u>	<u>Type</u>	<u>Min/Max</u>	<u>Usage</u>
BGM010	C002	DOCUMENT/MESSAGE NAME	C	Comp		Used

Description: Identification of a type of document/message by code or name. Code preferred.

BGM010-010	1001	Document name code	C	an	1/3	Used
------------	------	--------------------	---	----	-----	------

Description: Code specifying the document name.

CodeList Summary (Total Codes: 549, Included: 1)

Code Name

351 Despatch advice

Description: *Document/message by means of which the seller or consignor informs the consignee about the despatch of goods.*

BGM020	C106	DOCUMENT/MESSAGE IDENTIFICATION	C	Comp		Used
--------	------	---------------------------------	---	------	--	------

Description: Identification of a document/message by its number and eventually its version or revision.

BGM020-010	1004	Document/message number	C	an	1/35	Used
------------	------	-------------------------	---	----	------	------

Description: Reference number assigned to the document/message by the issuer.

DTM DATE/TIME/PERIOD

Pos: 0030	Max: 10
Conditional	
Group: N/A	Elements: 1

User Option (Usage): Used

Function: To specify date, and/or time, or period.

Element Summary:

<u>Ref</u>	<u>Tag</u>	<u>Element Name</u>	<u>Status</u>	<u>Type</u>	<u>Min/Max</u>	<u>Usage</u>
DTM010	C507	DATE/TIME/PERIOD	M	Comp		Must use
		Description: Date and/or time, or period relevant to the specified date/time/period type.				
DTM010-010	2005	Date/time/period function code qualifier	M	an	1/3	Must use
		Description: Code giving specific meaning to a date, time or period.				
		CodeList Summary (Total Codes: 697, Included: 1)				
		<u>Code</u>	<u>Name</u>			
		137	Document/message date/time			
		Description: (2006) Date/time when a document/message is issued. This may include authentication.				
DTM010-020	2380	Date/time/period value	C	an	1/35	Used
		Description: The value of a date, a date and time, a time or of a period in a specified representation.				
DTM010-030	2379	Date/time/period format code	C	an	1/3	Used
		Description: Code specifying the representation of a date, time or period.				
		CodeList Summary (Total Codes: 74, Included: 1)				
		<u>Code</u>	<u>Name</u>			
		203	CCYYMMDDHHMM			
		Description: Calendar date including time with minutes: C=Century; Y=Year; M=Month; D=Day; H=Hour; M=Minutes.				

NAD NAME AND ADDRESS

Pos: 0120	Max: 1
Mandatory	
Group: 2	Elements: 2

User Option (Usage): Must use

Function: To specify the name/address and their related function, either by C082 only and/or unstructured by C058 or structured by C080 thru 3207.

Element Summary:

<u>Ref</u>	<u>Tag</u>	<u>Element Name</u>	<u>Status</u>	<u>Type</u>	<u>Min/Max</u>	<u>Usage</u>
NAD010	3035	Party function code qualifier	M	an	1/3	Must use

Description: Code giving specific meaning to a party.

CodeList Summary (Total Codes: 490, Included: 3)

Code Name

CN Consignee

Description: (3132) Party to which goods are consigned.

ST Ship to

Description: Identification of the party to where goods will be or have been shipped.

SU Supplier

Description: (3280) Party which manufactures or otherwise has possession of goods, and consigns or makes them available in trade.

NAD020	C082	PARTY IDENTIFICATION DETAILS	C	Comp		Used
--------	------	------------------------------	---	------	--	------

Description: Identification of a transaction party by code.

NAD020-010	3039	Party identifier	M	an	1/35	Must use
------------	------	------------------	---	----	------	----------

Description: Code specifying the identity of a party.

CPS CONSIGNMENT PACKING SEQUENCE

Pos: 0400	Max: 1
Mandatory	
Group: 10	Elements: 2

User Option (Usage): Must use

Function: To identify the sequence in which physical packing is presented in the consignment, and optionally to identify the hierarchical relationship between packing layers.

Element Summary:

<u>Ref</u>	<u>Tag</u>	<u>Element Name</u>	<u>Status</u>	<u>Type</u>	<u>Min/Max</u>	<u>Usage</u>
CPS010	7164	Hierarchical structure level identifier	M	an	1/35	Must use

Description: To identify a level within a hierarchy structure.

CPS030	7075	Packaging level, coded	C	an	1/3	Used
--------	------	------------------------	---	----	-----	------

Description: Indication of level of packaging specified.

CodeList Summary (Total Codes: 4, Included: 4)

Code Name

- 1 Inner
Description: *Level of packing, if it exists, that is immediately subordinate to the intermediate packaging level.*
- 2 Intermediate
Description: *Level of packaging, if it exists, that is immediately subordinate to the outer packaging level.*
- 3 Outer
Description: *For packed merchandise, outermost level of packaging for a shipment.*
- 4 No packaging hierarchy
Description: *There is no specifiable level of packaging: packaging is inner and outer level as well.*

LIN LINE ITEM

Pos: 0660	Max: 1
Mandatory	
Group: 17	Elements: 1

User Option (Usage): Must use

Function: To identify a line item and configuration.

Element Summary:

<u>Ref</u>	<u>Tag</u>	<u>Element Name</u>	<u>Status</u>	<u>Type</u>	<u>Min/Max</u>	<u>Usage</u>
LIN030	C212	ITEM NUMBER IDENTIFICATION	C	Comp		Used
		Description: Goods identification for a specified source.				
LIN030-010	7140	Item number	M	an	1/35	Used
		Description: A number allocated to a group or item.				
LIN030-020	7143	Item type identification code	C	an	1/3	Used
		Description: Code specifying an item code.				

CodeList Summary (Total Codes: 100, Included: 1)

Code Name

IN Buyer's item number

Description: *Self explanatory.*

PIA ADDITIONAL PRODUCT ID

Pos: 0670	Max: 10
Conditional	
Group: 17	Elements: 2

User Option (Usage): Used

Function: To specify additional or substitutional item identification codes.

Element Summary:

<u>Ref</u>	<u>Tag</u>	<u>Element Name</u>	<u>Status</u>	<u>Type</u>	<u>Min/Max</u>	<u>Usage</u>
PIA010	4347	Product id. function qualifier	M	an	1/3	Must use

Description: Indication of the function of the product code.

CodeList Summary (Total Codes: 12, Included: 1)

Code Name

1 Additional identification

Description: *Information which specifies and qualifies product identifications.*

PIA020	C212	ITEM NUMBER IDENTIFICATION	M	Comp		Must use
--------	------	----------------------------	---	------	--	----------

Description: Goods identification for a specified source.

PIA020-010	7140	Item number	C	an	1/35	Used
------------	------	-------------	---	----	------	------

Description: A number allocated to a group or item.

PIA020-020	7143	Item type identification code	C	an	1/3	Used
------------	------	-------------------------------	---	----	-----	------

Description: Code specifying an item code.

CodeList Summary (Total Codes: 100, Included: 1)

Code Name

SA Supplier's article number

Description: *Number assigned to an article by the supplier of that article.*

QTY QUANTITY

Pos: 0700	Max: 10
Conditional	
Group: 17	Elements: 1

User Option (Usage): Used**Function:** To specify a pertinent quantity.**Element Summary:**

<u>Ref</u>	<u>Tag</u>	<u>Element Name</u>	<u>Status</u>	<u>Type</u>	<u>Min/Max</u>	<u>Usage</u>
QTY010	C186	QUANTITY DETAILS	M	Comp		Must use
		Description: Quantity information in a transaction, qualified when relevant.				
QTY010-010	6063	Quantity type code qualifier	M	an	1/3	Must use
		Description: Code qualifying the type of quantity.				
		CodeList Summary (Total Codes: 412, Included: 1)				
		Code		Name		
		12		Despatch quantity		
		Description: <i>Quantity despatched by the seller.</i>				
QTY010-020	6060	Quantity	M	an	1/35	Must use
		Description: Alphanumeric representation of a quantity.				
QTY010-030	6411	Measurement unit code	C	an	1/3	Used
		Description: Code specifying the unit of measurement.				

RFF REFERENCE

Pos: 0830	Max: 1
Mandatory	
Group: 18	Elements: 1

User Option (Usage): Must use
Function: To specify a reference.

Element Summary:

<u>Ref</u>	<u>Tag</u>	<u>Element Name</u>	<u>Status</u>	<u>Type</u>	<u>Min/Max</u>	<u>Usage</u>
RFF010	C506	REFERENCE	M	Comp		Must use
		Description: Identification of a reference.				
RFF010-010	1153	Reference function code qualifier	M	an	1/3	Must use
		Description: Code giving specific meaning to a reference segment or a reference number.				
		CodeList Summary (Total Codes: 707, Included: 1)				
		Code Name				
		ON	Order number (purchase)			
		Description: <i>[1022] Reference number assigned by the buyer to an order.</i>				
RFF010-020	1154	Reference identifier	M	an	1/35	Used
		Description: Identifies a reference.				
RFF010-030	1156	Line number	C	an	1/6	Used
		Description: Number of the line in the document/message referenced in 1154 Reference identifier.				
		BorgWarner Note: <i>This line item number must match the value sent in the Delfor RFF010-030 where RFF010-010 = "ON" to correlate the line number for that part for the Scheduling Agreement.</i>				

UNT MESSAGE TRAILER

Pos: 1150	Max: 1
Mandatory	
Group: N/A	Elements: 2

User Option (Usage): Must use

Function: To end and check the completeness of a message.

Element Summary:

<u>Ref</u>	<u>Tag</u>	<u>Element Name</u>	<u>Status</u>	<u>Type</u>	<u>Min/Max</u>	<u>Usage</u>
UNT010	0074	Number of segments in a message	M	n	1/10	Must use
		Description: The number of segments in a message body, plus the message header segment and message trailer segment.				
UNT020	0062	Message reference number	M	an	1/14	Must use
		Description: Unique message reference assigned by the sender.				

Notes:

- 0062, the value shall be identical to the value in 0062 in the corresponding UNH segment.

BorgWarner Note:

Sample Data:

```

UNA:+ ? '
UNB+UNOC:3+VendorID+BorgWarnerID+151203:1435+0354203543'
UNH+1+DESADV:D:99B:UN'
BGM+351+54222'
DTM+137:201601011132:203'
CPS+1++1'
LIN+++111111:IN'
PIA+1+2222-00:SA'
QTY+12:100:EA'
RFF+ON:5500000000:20'
CPS+2++4'
LIN+++33333:IN'
PIA+1+4444-00:SA'
QTY+12:100:EA'
RFF+ON:5500000000:10'
UNT+14+1'
UNZ+1+0354203543'
    
```