



830 Planning Schedule with Release Capability

X12/V4010/830 : 830 Planning Schedule with Release Capability

Version: 2.0 Final

Publication:	5/20/2019
Created:	4/24/2019
Modified:	5/20/2019

Table of Contents

830	Planning Schedule with Release Capability	1
	Branching Diagram - 1	3
	Branching Diagram - 2	4
	Branching Diagram - 3	5
	Branching Diagram - 4	6
ISA	Interchange Control Header	7
GS	Functional Group Header	10
ST	Transaction Set Header	12
BFR	Beginning Segment for Planning Schedule	13
REF	Reference Identification	15
TD5	Carrier Details (Routing Sequence/Transit Time)	16
N1	Name	17
N3	Address Information	18
N4	Geographic Location	19
REF	Reference Identification	20
PER	Administrative Communications Contact	21
LIN	Item Identification	22
UIT	Unit Detail	24
PID	Product/Item Description	25
PER	Administrative Communications Contact	26
ATH	Resource Authorization	27
FST	Forecast Schedule	28
SHP	Shipped/Received Information	30
REF	Reference Identification	32
CTT	Transaction Totals	33
SE	Transaction Set Trailer	34
GE	Functional Group Trailer	35
IEA	Interchange Control Trailer	36

830 Planning Schedule with Release Capability

Functional Group=PS

Purpose: This Draft Standard for Trial Use contains the format and establishes the data contents of the Planning Schedule with Release Capability Transaction Set (830) for use within the context of an Electronic Data Interchange (EDI) environment. The transaction set can be used to provide for customary and established business practice relative to the transfer of forecasting/material release information between organizations.

The planning schedule transaction may be used in various ways or in a combination of ways, such as: (1) a simple forecast; (2) a forecast with the buyer's authorization for the seller to commit to resources, such as labor or material; (3) a forecast that is also used as an order release mechanism, containing such elements as resource authorizations, period-to-date cumulative quantities, and specific ship/delivery patterns for requirements that have been represented in "buckets," such as weekly, monthly, or quarterly. The order release forecast may also contain all data related to purchase orders, as required, because the order release capability eliminates the need for discrete generation of purchase orders.

Not Defined:

<u>Pos</u>	<u>Id</u>	<u>Segment Name</u>	<u>Req</u>	<u>Max Use</u>	<u>Repeat</u>	<u>Notes</u>	<u>Usage</u>
	ISA	Interchange Control Header	M	1			Must use
	GS	Functional Group Header	M	1			Must use

Heading:

<u>Pos</u>	<u>Id</u>	<u>Segment Name</u>	<u>Req</u>	<u>Max Use</u>	<u>Repeat</u>	<u>Notes</u>	<u>Usage</u>
010	ST	Transaction Set Header	M	1			Must use
020	BFR	Beginning Segment for Planning Schedule	M	1			Must use
050	REF	Reference Identification	O	12			Used
190	TD5	Carrier Details (Routing Sequence/Transit Time)	O	12			Used

<u>LOOP ID - N1</u>			<u>200</u>				
230	N1	Name	O	1			Used
250	N3	Address Information	O	2			Used
260	N4	Geographic Location	O	1			Used
270	REF	Reference Identification	O	12			Used
280	PER	Administrative Communications Contact	O	3			Used

Detail:

<u>Pos</u>	<u>Id</u>	<u>Segment Name</u>	<u>Req</u>	<u>Max Use</u>	<u>Repeat</u>	<u>Notes</u>	<u>Usage</u>
<u>LOOP ID - LIN</u>			<u>>1</u>				
010	LIN	Item Identification	M	1			Must use
020	UIT	Unit Detail	O	1			Used
080	PID	Product/Item Description	O	1000			Used
150	PER	Administrative Communications Contact	O	3			Used
230	ATH	Resource Authorization	O	20			Used
<u>LOOP ID - FST</u>			<u>>1</u>		<u>N2/410L</u>		

<u>Pos</u>	<u>Id</u>	<u>Segment Name</u>	<u>Req</u>	<u>Max Use</u>	<u>Repeat</u>	<u>Notes</u>	<u>Usage</u>
410	FST	Forecast Schedule	O	1			Used
LOOP ID - SHP					25		
470	SHP	Shipped/Received Information	O	1			Used
480	REF	Reference Identification	O	5			Used

Summary:

<u>Pos</u>	<u>Id</u>	<u>Segment Name</u>	<u>Req</u>	<u>Max Use</u>	<u>Repeat</u>	<u>Notes</u>	<u>Usage</u>
010	CTT	Transaction Totals	O	1		N3/010	Used
020	SE	Transaction Set Trailer	M	1			Must use

Not Defined:

<u>Pos</u>	<u>Id</u>	<u>Segment Name</u>	<u>Req</u>	<u>Max Use</u>	<u>Repeat</u>	<u>Notes</u>	<u>Usage</u>
	GE	Functional Group Trailer	M	1			Must use
	IEA	Interchange Control Trailer	M	1			Must use

Notes:

- 2/410L At least one occurrence of segment FST is required, either in the FST loop or within the SDP loop. These two loops are mutually exclusive.
- 3/010 Number of line items (CTT01) is the accumulation of the number of LIN segments. If used, hash total (CTT02) is the sum of the values of the quantities (FST01) for each FST segment.

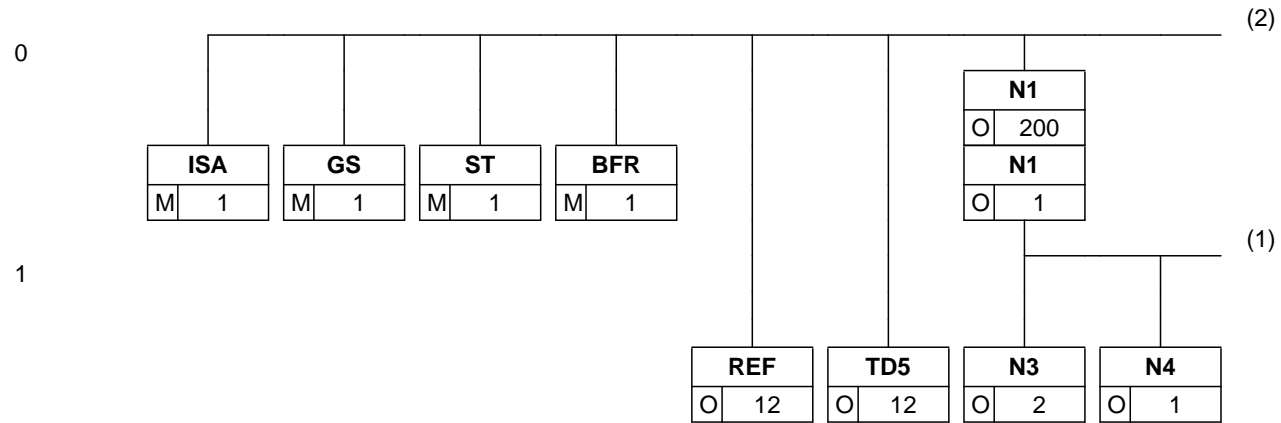
BorgWarner Note::

Change Log:

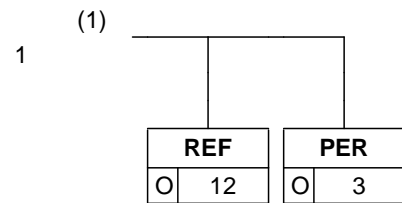
2019-04-25 Pauline Flanigan. Version 2

1. N404- Country code added to N101 = ST and SU . New fields in existing segments (Page 19)
2. N101 ST add REF DK for Dock Code/Unloading Point . New segment as a child of an existing Segment (Page 20)
3. LIN / UIT01 - changed logic to map the UOM agreed in the contract instead of hardcoding EA. Updated logic (Page 24)
4. ATH PQ = Cumulative Quantity Required Prior to First Schedule Period . New segment (Page 27)
 ATH01 = PQ
 ATH02 = Authorization through date
 ATH03 = Quantity truncate decimals
 ATH05 = Delivery Schedule Date - cumulative quantity authorization
5. ATH FI = End of Production go ahead date. New segment, supplements ATH PQ (Page 27)
 ATH01 = FI
 ATH02 = Authorization through date
6. ATH MT = Authorization through date for materials. New segment, supplements ATH PQ (Page 27)
 ATH01 = MT
 ATH02 = Authorization through date
7. SHP01 =01 representing the last three deliveries QTY in a "goods received" status. New segment occurs up to three times (Pages 30-31)
8. SHP/ REF01 = SI contains the delivery number of the quantity received in SHP01 = 01. New segment supplements SHP01=01 (Page 32)
9. Sample data (Page 36)

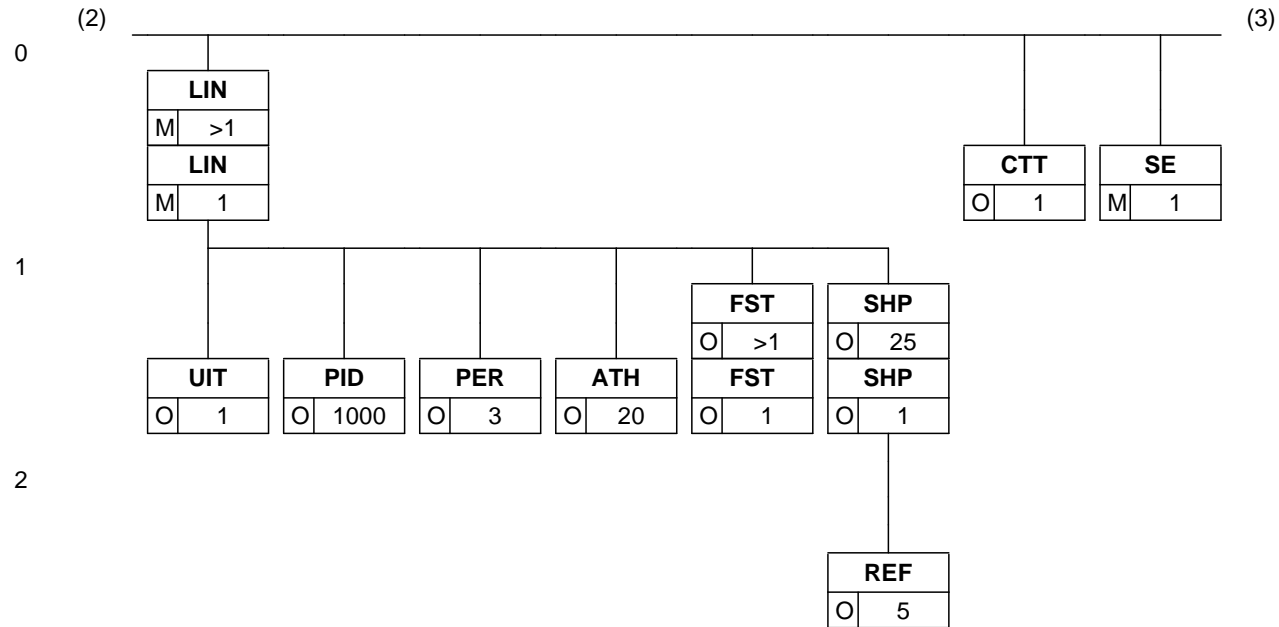
Branching Diagram: 830(Planning Schedule with Release Capability)



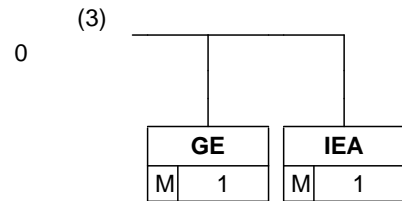
Branching Diagram: 830(Planning Schedule with Release Capability)



Branching Diagram: 830(Planning Schedule with Release Capability)



Branching Diagram: 830(Planning Schedule with Release Capability)



ISA Interchange Control Header

Pos:	Max: 1
Not Defined - Mandatory	
Loop: N/A	Elements: 16

User Option (Usage): Must use

Purpose: To start and identify an interchange of zero or more functional groups and interchange-related control segments

Element Summary:

<u>Ref</u>	<u>Id</u>	<u>Element Name</u>	<u>Req</u>	<u>Type</u>	<u>Min/Max</u>	<u>Usage</u>
ISA01	I01	Authorization Information Qualifier	M	ID	2/2	Must use
<p>Description: Code to identify the type of information in the Authorization Information</p> <p>Code List Summary (Total Codes: 7, Included: 1)</p> <p><u>Code</u> <u>Name</u></p> <p>00 No Authorization Information Present (No Meaningful Information in I02)</p>						
ISA02	I02	Authorization Information	M	AN	10/10	Must use
<p>Description: Information used for additional identification or authorization of the interchange sender or the data in the interchange; the type of information is set by the Authorization Information Qualifier (I01)</p>						
ISA03	I03	Security Information Qualifier	M	ID	2/2	Must use
<p>Description: Code to identify the type of information in the Security Information</p> <p>Code List Summary (Total Codes: 2, Included: 1)</p> <p><u>Code</u> <u>Name</u></p> <p>00 No Security Information Present (No Meaningful Information in I04)</p>						
ISA04	I04	Security Information	M	AN	10/10	Must use
<p>Description: This is used for identifying the security information about the interchange sender or the data in the interchange; the type of information is set by the Security Information Qualifier (I03)</p>						
ISA05	I05	Interchange ID Qualifier	M	ID	2/2	Must use
<p>Description: Qualifier to designate the system/method of code structure used to designate the sender or receiver ID element being qualified</p> <p>Code List Summary (Total Codes: 38, Included: 2)</p> <p><u>Code</u> <u>Name</u></p> <p>01 Duns (Dun & Bradstreet)</p> <p>ZZ Mutually Defined</p>						

<u>Ref</u>	<u>Id</u>	<u>Element Name</u>	<u>Req</u>	<u>Type</u>	<u>Min/Max</u>	<u>Usage</u>
ISA06	I06	Interchange Sender ID	M	AN	15/15	Must use
		Description: Identification code published by the sender for other parties to use as the receiver ID to route data to them; the sender always codes this value in the sender ID element				
ISA07	I05	Interchange ID Qualifier	M	ID	2/2	Must use
		Description: Qualifier to designate the system/method of code structure used to designate the sender or receiver ID element being qualified				
		Code List Summary (Total Codes: 38, Included: 2)				
		Code Name				
		01 Duns (Dun & Bradstreet)				
		ZZ Mutually Defined				
ISA08	I07	Interchange Receiver ID	M	AN	15/15	Must use
		Description: Identification code published by the receiver of the data; When sending, it is used by the sender as their sending ID, thus other parties sending to them will use this as a receiving ID to route data to them				
ISA09	I08	Interchange Date	M	DT	6/6	Must use
		Description: Date of the interchange				
ISA10	I09	Interchange Time	M	TM	4/4	Must use
		Description: Time of the interchange				
ISA11	I10	Interchange Control Standards Identifier	M	ID	1/1	Must use
		Description: Code to identify the agency responsible for the control standard used by the message that is enclosed by the interchange header and trailer				
		Code List Summary (Total Codes: 1, Included: 1)				
		Code Name				
		U U.S. EDI Community of ASC X12, TDCC, and UCS				
ISA12	I11	Interchange Control Version Number	M	ID	5/5	Must use
		Description: Code specifying the version number of the interchange control segments				
		Code List Summary (Total Codes: 14, Included: 1)				
		Code Name				
		00401 Draft Standards for Trial Use Approved for Publication by ASC X12 Procedures Review Board through October 1997				

<u>Ref</u>	<u>Id</u>	<u>Element Name</u>	<u>Req</u>	<u>Type</u>	<u>Min/Max</u>	<u>Usage</u>
ISA13	I12	Interchange Control Number	M	N0	9/9	Must use
		Description: A control number assigned by the interchange sender				
ISA14	I13	Acknowledgment Requested	M	ID	1/1	Must use
		Description: Code sent by the sender to request an interchange acknowledgment (TA1)				
		Code List Summary (Total Codes: 2, Included: 1)				
		Code Name				
		0 No Acknowledgment Requested				
ISA15	I14	Usage Indicator	M	ID	1/1	Must use
		Description: Code to indicate whether data enclosed by this interchange envelope is test, production or information				
		Code List Summary (Total Codes: 3, Included: 2)				
		Code Name				
		P Production Data				
		T Test Data				
ISA16	I15	Component Element Separator	M		1/1	Must use
		Description: Type is not applicable; the component element separator is a delimiter and not a data element; this field provides the delimiter used to separate component data elements within a composite data structure; this value must be different than the data element separator and the segment terminator				

GS Functional Group Header

Pos:	Max: 1
Not Defined - Mandatory	
Loop: N/A	Elements: 8

User Option (Usage): Must use

Purpose: To indicate the beginning of a functional group and to provide control information

Element Summary:

<u>Ref</u>	<u>Id</u>	<u>Element Name</u>	<u>Req</u>	<u>Type</u>	<u>Min/Max</u>	<u>Usage</u>
GS01	479	Functional Identifier Code	M	ID	2/2	Must use
		<p>Description: Code identifying a group of application related transaction sets</p> <p>Code List Summary (Total Codes: 240, Included: 1)</p> <p>Code Name PS Planning Schedule with Release Capability (830)</p>				
GS02	142	Application Sender's Code	M	AN	2/15	Must use
		<p>Description: Code identifying party sending transmission; codes agreed to by trading partners</p>				
GS03	124	Application Receiver's Code	M	AN	2/15	Must use
		<p>Description: Code identifying party receiving transmission; codes agreed to by trading partners</p>				
GS04	373	Date	M	DT	8/8	Must use
		<p>Description: Date expressed as CCYYMMDD</p>				
GS05	337	Time	M	TM	4/8	Must use
		<p>Description: Time expressed in 24-hour clock time as follows: HHMM, or HHMMSS, or HHMMSSD, or HHMMSSDD, where H = hours (00-23), M = minutes (00-59), S = integer seconds (00-59) and DD = decimal seconds; decimal seconds are expressed as follows: D = tenths (0-9) and DD = hundredths (00-99)</p>				
GS06	28	Group Control Number	M	N0	1/9	Must use
		<p>Description: Assigned number originated and maintained by the sender</p>				
GS07	455	Responsible Agency Code	M	ID	1/2	Must use
		<p>Description: Code identifying the issuer of the standard; this code is used in conjunction with Data Element 480</p> <p>Code List Summary (Total Codes: 2, Included: 2)</p>				

Code Name

T Transportation Data Coordinating Committee (TDCC)
 X Accredited Standards Committee X12

GS08 480 **Version / Release / Industry Identifier Code** M AN 1/12 Must use

Description: Code indicating the version, release, subrelease, and industry identifier of the EDI standard being used, including the GS and GE segments; if code in DE455 in GS segment is X, then in DE 480 positions 1-3 are the version number; positions 4-6 are the release and subrelease, level of the version; and positions 7-12 are the industry or trade association identifiers (optionally assigned by user); if code in DE455 in GS segment is T, then other formats are allowed

Code List Summary (Total Codes: 39, Included: 1)

Code Name

004010 Draft Standards Approved for Publication by ASC X12 Procedures Review Board through October 1997

Semantics:

1. GS04 is the group date.
2. GS05 is the group time.
3. The data interchange control number GS06 in this header must be identical to the same data element in the associated functional group trailer, GE02.

Comments:

1. A functional group of related transaction sets, within the scope of X12 standards, consists of a collection of similar transaction sets enclosed by a functional group header and a functional group trailer.

ST Transaction Set Header

Pos: 010	Max: 1
Heading - Mandatory	
Loop: N/A	Elements: 2

User Option (Usage): Must use

Purpose: To indicate the start of a transaction set and to assign a control number

Element Summary:

<u>Ref</u>	<u>Id</u>	<u>Element Name</u>	<u>Req</u>	<u>Type</u>	<u>Min/Max</u>	<u>Usage</u>
ST01	143	Transaction Set Identifier Code	M	ID	3/3	Must use
<p>Description: Code uniquely identifying a Transaction Set</p> <p>Code List Summary (Total Codes: 298, Included: 1)</p> <p>Code Name</p> <p>830 Planning Schedule with Release Capability</p>						
ST02	329	Transaction Set Control Number	M	AN	4/9	Must use
<p>Description: Identifying control number that must be unique within the transaction set functional group assigned by the originator for a transaction set</p>						

Semantics:

1. The transaction set identifier (ST01) used by the translation routines of the interchange partners to select the appropriate transaction set definition (e.g., 810 selects the Invoice Transaction Set).

BFR Beginning Segment for Planning Schedule

Pos: 020 Max: 1
 Heading - Mandatory
 Loop: N/A Elements: 7

User Option (Usage): Must use

Purpose: To indicate the beginning of a planning schedule transaction set; whether a ship or delivery based forecast; and related forecast envelope dates

Element Summary:

<u>Ref</u>	<u>Id</u>	<u>Element Name</u>	<u>Req</u>	<u>Type</u>	<u>Min/Max</u>	<u>Usage</u>				
BFR01	353	Transaction Set Purpose Code	M	ID	2/2	Must use				
<p>Description: Code identifying purpose of transaction set</p> <p>Code List Summary (Total Codes: 65, Included: 1)</p> <table border="1"> <thead> <tr> <th><u>Code</u></th> <th><u>Name</u></th> </tr> </thead> <tbody> <tr> <td>05</td> <td>Replace</td> </tr> </tbody> </table>							<u>Code</u>	<u>Name</u>	05	Replace
<u>Code</u>	<u>Name</u>									
05	Replace									
BFR02	127	Reference Identification	X	AN	1/30	Used				
<p>Description: Reference information as defined for a particular Transaction Set or as specified by the Reference Identification Qualifier</p>										
BFR03	328	Release Number	X	AN	1/30	Used				
<p>Description: Number identifying a release against a Purchase Order previously placed by the parties involved in the transaction</p>										
BFR04	675	Schedule Type Qualifier	M	ID	2/2	Must use				
<p>Description: Code identifying the type of dates used when defining a shipping or delivery time in a schedule or forecast</p> <p>Code List Summary (Total Codes: 11, Included: 1)</p> <table border="1"> <thead> <tr> <th><u>Code</u></th> <th><u>Name</u></th> </tr> </thead> <tbody> <tr> <td>DL</td> <td>Delivery Based</td> </tr> </tbody> </table>							<u>Code</u>	<u>Name</u>	DL	Delivery Based
<u>Code</u>	<u>Name</u>									
DL	Delivery Based									
BFR05	676	Schedule Quantity Qualifier	M	ID	1/1	Must use				
<p>Description: Code identifying the type of quantities used when defining a schedule or forecast</p> <p>Code List Summary (Total Codes: 4, Included: 1)</p> <table border="1"> <thead> <tr> <th><u>Code</u></th> <th><u>Name</u></th> </tr> </thead> <tbody> <tr> <td>A</td> <td>Actual Discrete Quantities</td> </tr> </tbody> </table>							<u>Code</u>	<u>Name</u>	A	Actual Discrete Quantities
<u>Code</u>	<u>Name</u>									
A	Actual Discrete Quantities									
BFR06	373	Date	M	DT	8/8	Must use				
<p>Description: Date expressed as CCYYMMDD</p>										

<u>Ref</u>	<u>Id</u>	<u>Element Name</u>	<u>Req</u>	<u>Type</u>	<u>Min/Max</u>	<u>Usage</u>
BFR08	373	Date	M	DT	8/8	Must use

Description: Date expressed as
CCYYMMDD

Syntax Rules:

1. R0203 - At least one of BFR02 or BFR03 is required.

Semantics:

1. If BFR01 contains the value "04" (Net Change), BFR09 is required.
2. BFR02 is the identifying number for a forecast assigned by the orderer/purchaser.
3. BFR06 is the forecast horizon start date: The date when the forecast horizon (envelope) begins.
4. BFR07 is the forecast horizon end date: The date when the forecast horizon (envelope) ends.
5. BFR08 is the date forecast generated: The date the forecast data was generated.
6. BFR09 is the date forecast updated: The date the forecast was updated with "net change" data. (Used only when data element 353 in BFR01 contains the value "04", meaning net change.)

REF Reference Identification

Pos: 050	Max: 12
Heading - Optional	
Loop: N/A	Elements: 2

User Option (Usage): Used

Purpose: To specify identifying information

Element Summary:

<u>Ref</u>	<u>Id</u>	<u>Element Name</u>	<u>Req</u>	<u>Type</u>	<u>Min/Max</u>	<u>Usage</u>
REF01	128	Reference Identification Qualifier	M	ID	2/3	Must use
		Description: Code qualifying the Reference Identification				
		Code List Summary (Total Codes: 1503, Included: 1)				
		Code Name				
		L1 Letters or Notes				
REF03	352	Description	X	AN	1/80	Used
		Description: A free-form description to clarify the related data elements and their content				

Syntax Rules:

1. R0203 - At least one of REF02 or REF03 is required.

Semantics:

1. REF04 contains data relating to the value cited in REF02.

TD5 Carrier Details (Routing Sequence/Transit Time)

Pos: 190	Max: 12
Heading - Optional	
Loop: N/A	Elements: 2

User Option (Usage): Used

Purpose: To specify the carrier and sequence of routing and provide transit time information

Element Summary:

<u>Ref</u>	<u>Id</u>	<u>Element Name</u>	<u>Req</u>	<u>Type</u>	<u>Min/Max</u>	<u>Usage</u>				
TD502	66	Identification Code Qualifier	X	ID	1/2	Used				
<p>Description: Code designating the system/method of code structure used for Identification Code (67)</p> <p>Code List Summary (Total Codes: 215, Included: 1)</p> <table border="1"> <thead> <tr> <th><u>Code</u></th> <th><u>Name</u></th> </tr> </thead> <tbody> <tr> <td>2</td> <td>Standard Carrier Alpha Code (SCAC)</td> </tr> </tbody> </table>							<u>Code</u>	<u>Name</u>	2	Standard Carrier Alpha Code (SCAC)
<u>Code</u>	<u>Name</u>									
2	Standard Carrier Alpha Code (SCAC)									
TD503	67	Identification Code	X	AN	2/80	Used				
<p>Description: Code identifying a party or other code</p>										

Syntax Rules:

1. R0204050612 - At least one of TD502, TD504, TD505, TD506 or TD512 is required.
2. C0203 - If TD502 is present, then TD503 is required.
3. C0708 - If TD507 is present, then TD508 is required.
4. C1011 - If TD510 is present, then TD511 is required.
5. C1312 - If TD513 is present, then TD512 is required.
6. C1413 - If TD514 is present, then TD513 is required.
7. C1512 - If TD515 is present, then TD512 is required.

Semantics:

1. TD515 is the country where the service is to be performed.

Comments:

1. When specifying a routing sequence to be used for the shipment movement in lieu of specifying each carrier within the movement, use TD502 to identify the party responsible for defining the routing sequence, and use TD503 to identify the actual routing sequence, specified by the party identified in TD502.

N1 Name

Pos: 230	Max: 1
Heading - Optional	
Loop: N1	Elements: 4

User Option (Usage): Used

Purpose: To identify a party by type of organization, name, and code

Element Summary:

<u>Ref</u>	<u>Id</u>	<u>Element Name</u>	<u>Req</u>	<u>Type</u>	<u>Min/Max</u>	<u>Usage</u>								
N101	98	Entity Identifier Code	M	ID	2/3	Must use								
<p>Description: Code identifying an organizational entity, a physical location, property or an individual</p> <p>Code List Summary (Total Codes: 1312, Included: 3)</p> <table border="1"> <thead> <tr> <th><u>Code</u></th> <th><u>Name</u></th> </tr> </thead> <tbody> <tr> <td>MI</td> <td>Planning Schedule/Material Release Issuer</td> </tr> <tr> <td>ST</td> <td>Ship To</td> </tr> <tr> <td>SU</td> <td>Supplier/Manufacturer</td> </tr> </tbody> </table>							<u>Code</u>	<u>Name</u>	MI	Planning Schedule/Material Release Issuer	ST	Ship To	SU	Supplier/Manufacturer
<u>Code</u>	<u>Name</u>													
MI	Planning Schedule/Material Release Issuer													
ST	Ship To													
SU	Supplier/Manufacturer													
N102	93	Name	X	AN	1/60	Used								
<p>Description: Free-form name</p>														
N103	66	Identification Code Qualifier	X	ID	1/2	Used								
<p>Description: Code designating the system/method of code structure used for Identification Code (67)</p> <p>Code List Summary (Total Codes: 215, Included: 2)</p> <table border="1"> <thead> <tr> <th><u>Code</u></th> <th><u>Name</u></th> </tr> </thead> <tbody> <tr> <td>1</td> <td>D-U-N-S Number, Dun & Bradstreet</td> </tr> <tr> <td>92</td> <td>Assigned by Buyer or Buyer's Agent</td> </tr> </tbody> </table>							<u>Code</u>	<u>Name</u>	1	D-U-N-S Number, Dun & Bradstreet	92	Assigned by Buyer or Buyer's Agent		
<u>Code</u>	<u>Name</u>													
1	D-U-N-S Number, Dun & Bradstreet													
92	Assigned by Buyer or Buyer's Agent													
N104	67	Identification Code	X	AN	2/80	Used								
<p>Description: Code identifying a party or other code</p>														

Syntax Rules:

1. R0203 - At least one of N102 or N103 is required.
2. P0304 - If either N103 or N104 is present, then the other is required.

Comments:

1. This segment, used alone, provides the most efficient method of providing organizational identification. To obtain this efficiency the "ID Code" (N104) must provide a key to the table maintained by the transaction processing party.
2. N105 and N106 further define the type of entity in N101.

N3 Address Information

Pos: 250	Max: 2
Heading - Optional	
Loop: N1	Elements: 1

User Option (Usage): Used

Purpose: To specify the location of the named party

Element Summary:

<u>Ref</u>	<u>Id</u>	<u>Element Name</u>	<u>Req</u>	<u>Type</u>	<u>Min/Max</u>	<u>Usage</u>
N301	166	Address Information	M	AN	1/55	Must use

Description: Address information

N4 Geographic Location

Pos: 260	Max: 1
Heading - Optional	
Loop: N1	Elements: 4

User Option (Usage): Used

Purpose: To specify the geographic place of the named party

Element Summary:

<u>Ref</u>	<u>Id</u>	<u>Element Name</u>	<u>Req</u>	<u>Type</u>	<u>Min/Max</u>	<u>Usage</u>
N401	19	City Name	O	AN	2/30	Used
		Description: Free-form text for city name				
N402	156	State or Province Code	O	ID	2/2	Used
		Description: Code (Standard State/Province) as defined by appropriate government agency				
N403	116	Postal Code	O	ID	3/15	Used
		Description: Code defining international postal zone code excluding punctuation and blanks (zip code for United States)				
N404	26	Country Code	O	ID	2/3	Used
		Description: Code identifying the country				

Syntax Rules:

1. C0605 - If N406 is present, then N405 is required.

Comments:

1. A combination of either N401 through N404, or N405 and N406 may be adequate to specify a location.
2. N402 is required only if city name (N401) is in the U.S. or Canada.

REF Reference Identification

Pos: 270	Max: 12
Heading - Optional	
Loop: N1	Elements: 2

User Option (Usage): Used

Purpose: To specify identifying information

Element Summary:

<u>Ref</u>	<u>Id</u>	<u>Element Name</u>	<u>Req</u>	<u>Type</u>	<u>Min/Max</u>	<u>Usage</u>
REF01	128	Reference Identification Qualifier	M	ID	2/3	Must use
<p>Description: Code qualifying the Reference Identification</p> <p>Code List Summary (Total Codes: 1503, Included: 1)</p> <p>Code Name</p> <p>DK Dock Number</p>						
REF02	127	Reference Identification	X	AN	1/30	Used
<p>Description: Reference information as defined for a particular Transaction Set or as specified by the Reference Identification Qualifier</p>						

Syntax Rules:

1. R0203 - At least one of REF02 or REF03 is required.

Semantics:

1. REF04 contains data relating to the value cited in REF02.

PER Administrative Communications Contact

Pos: 280	Max: 3
Heading - Optional	
Loop: N1	Elements: 4

User Option (Usage): Used

Purpose: To identify a person or office to whom administrative communications should be directed

Element Summary:

<u>Ref</u>	<u>Id</u>	<u>Element Name</u>	<u>Req</u>	<u>Type</u>	<u>Min/Max</u>	<u>Usage</u>
PER01	366	Contact Function Code	M	ID	2/2	Must use
		Description: Code identifying the major duty or responsibility of the person or group named Code List Summary (Total Codes: 230, Included: 1) <u>Code Name</u> IC Information Contact				
PER02	93	Name	O	AN	1/60	Used
		Description: Free-form name				
PER03	365	Communication Number Qualifier	X	ID	2/2	Used
		Description: Code identifying the type of communication number Code List Summary (Total Codes: 40, Included: 1) <u>Code Name</u> TE Telephone				
PER04	364	Communication Number	X	AN	1/80	Used
		Description: Complete communications number including country or area code when applicable				

Syntax Rules:

1. P0304 - If either PER03 or PER04 is present, then the other is required.
2. P0506 - If either PER05 or PER06 is present, then the other is required.
3. P0708 - If either PER07 or PER08 is present, then the other is required.

LIN Item Identification

Pos: 010	Max: 1
Detail - Mandatory	
Loop: LIN	Elements: 7

User Option (Usage): Must use

Purpose: To specify basic item identification data

Element Summary:

<u>Ref</u>	<u>Id</u>	<u>Element Name</u>	<u>Req</u>	<u>Type</u>	<u>Min/Max</u>	<u>Usage</u>
LIN01	350	Assigned Identification	O	AN	1/20	Used
		Description: Alphanumeric characters assigned for differentiation within a transaction set				
LIN02	235	Product/Service ID Qualifier	M	ID	2/2	Must use
		Description: Code identifying the type/source of the descriptive number used in Product/Service ID (234)				
		Code List Summary (Total Codes: 477, Included: 1)				
		Code Name				
		BP Buyer's Part Number				
LIN03	234	Product/Service ID	M	AN	1/48	Must use
		Description: Identifying number for a product or service				
LIN04	235	Product/Service ID Qualifier	X	ID	2/2	Used
		Description: Code identifying the type/source of the descriptive number used in Product/Service ID (234)				
		Code List Summary (Total Codes: 477, Included: 1)				
		Code Name				
		PO Purchase Order Number				
LIN05	234	Product/Service ID	X	AN	1/48	Used
		Description: Identifying number for a product or service				
LIN06	235	Product/Service ID Qualifier	X	ID	2/2	Used
		Description: Code identifying the type/source of the descriptive number used in Product/Service ID (234)				
		Code List Summary (Total Codes: 477, Included: 1)				
		Code Name				
		EC Engineering Change Level				
LIN07	234	Product/Service ID	X	AN	1/48	Used
		Description: Identifying number for a product or service				

<u>Ref</u>	<u>Id</u>	<u>Element Name</u>	<u>Req</u>	<u>Type</u>	<u>Min/Max</u>	<u>Usage</u>
------------	-----------	---------------------	------------	-------------	----------------	--------------

Syntax Rules:

1. P0405 - If either LIN04 or LIN05 is present, then the other is required.
2. P0607 - If either LIN06 or LIN07 is present, then the other is required.
3. P0809 - If either LIN08 or LIN09 is present, then the other is required.
4. P1011 - If either LIN10 or LIN11 is present, then the other is required.
5. P1213 - If either LIN12 or LIN13 is present, then the other is required.
6. P1415 - If either LIN14 or LIN15 is present, then the other is required.
7. P1617 - If either LIN16 or LIN17 is present, then the other is required.
8. P1819 - If either LIN18 or LIN19 is present, then the other is required.
9. P2021 - If either LIN20 or LIN21 is present, then the other is required.
10. P2223 - If either LIN22 or LIN23 is present, then the other is required.
11. P2425 - If either LIN24 or LIN25 is present, then the other is required.
12. P2627 - If either LIN26 or LIN27 is present, then the other is required.
13. P2829 - If either LIN28 or LIN29 is present, then the other is required.
14. P3031 - If either LIN30 or LIN31 is present, then the other is required.

Semantics:

1. LIN01 is the line item identification

Comments:

1. See the Data Dictionary for a complete list of IDs.
2. LIN02 through LIN31 provide for fifteen different product/service IDs for each item. For example: Case, Color, Drawing No., U.P.C. No., ISBN No., Model No., or SKU.

UIT Unit Detail

Pos: 020	Max: 1
Detail - Optional	
Loop: LIN	Elements: 1

User Option (Usage): Used

Purpose: To specify item unit data

Element Summary:

<u>Ref</u>	<u>Id</u>	<u>Element Name</u>	<u>Req</u>	<u>Type</u>	<u>Min/Max</u>	<u>Usage</u>
UIT01	C001	Composite Unit of Measure	M	Comp		Must use

Description: To identify a composite unit of measure

(See Figures Appendix for examples of use)

UIT01-01	355	Unit or Basis for Measurement Code	M	ID	2/2	Must use
----------	-----	---	---	----	-----	----------

Description: Code specifying the units in which a value is being expressed, or manner in which a measurement has been taken

BorgWarner Note:: *This is the UOM agreed on for the between BorgWarner and the vendor*

Code List Summary (Total Codes: 794, Included: 16)

<u>Code</u>	<u>Name</u>
BX	Box
CA	Case
CT	Carton
EA	Each
FT	Foot
GA	Gallon
GR	Gram
KG	Kilogram
LB	Pound
LT	Liter
MR	Meter
PC	Piece
PK	Package
RL	Roll
SF	Square Foot
YD	Yard

Syntax Rules:

1. C0302 - If UIT03 is present, then UIT02 is required.

PID Product/Item Description

Pos: 080	Max: 1000
Detail - Optional	
Loop: LIN	Elements: 2

User Option (Usage): Used

Purpose: To describe a product or process in coded or free-form format

Element Summary:

<u>Ref</u>	<u>Id</u>	<u>Element Name</u>	<u>Req</u>	<u>Type</u>	<u>Min/Max</u>	<u>Usage</u>				
PID01	349	Item Description Type	M	ID	1/1	Must use				
<p>Description: Code indicating the format of a description</p> <p>Code List Summary (Total Codes: 3, Included: 1)</p> <table border="1"> <thead> <tr> <th><u>Code</u></th> <th><u>Name</u></th> </tr> </thead> <tbody> <tr> <td>F</td> <td>Free-form</td> </tr> </tbody> </table>							<u>Code</u>	<u>Name</u>	F	Free-form
<u>Code</u>	<u>Name</u>									
F	Free-form									
PID05	352	Description	X	AN	1/80	Used				
<p>Description: A free-form description to clarify the related data elements and their content</p>										

Syntax Rules:

1. C0403 - If PID04 is present, then PID03 is required.
2. R0405 - At least one of PID04 or PID05 is required.
3. C0703 - If PID07 is present, then PID03 is required.
4. C0804 - If PID08 is present, then PID04 is required.
5. C0905 - If PID09 is present, then PID05 is required.

Semantics:

1. Use PID03 to indicate the organization that publishes the code list being referred to.
2. PID04 should be used for industry-specific product description codes.
3. PID08 describes the physical characteristics of the product identified in PID04. A "Y" indicates that the specified attribute applies to this item; an "N" indicates it does not apply. Any other value is indeterminate.
4. PID09 is used to identify the language being used in PID05.

Comments:

1. If PID01 equals "F", then PID05 is used. If PID01 equals "S", then PID04 is used. If PID01 equals "X", then both PID04 and PID05 are used.
2. Use PID06 when necessary to refer to the product surface or layer being described in the segment.
3. PID07 specifies the individual code list of the agency specified in PID03.

PER Administrative Communications Contact

Pos: 150	Max: 3
Detail - Optional	
Loop: LIN	Elements: 4

User Option (Usage): Used

Purpose: To identify a person or office to whom administrative communications should be directed

Element Summary:

<u>Ref</u>	<u>Id</u>	<u>Element Name</u>	<u>Req</u>	<u>Type</u>	<u>Min/Max</u>	<u>Usage</u>
PER01	366	Contact Function Code	M	ID	2/2	Must use
<p>Description: Code identifying the major duty or responsibility of the person or group named</p> <p>Code List Summary (Total Codes: 230, Included: 1)</p> <p><u>Code</u> <u>Name</u></p> <p>BD Buyer Name or Department</p>						
PER02	93	Name	O	AN	1/60	Used
<p>Description: Free-form name</p>						
PER03	365	Communication Number Qualifier	X	ID	2/2	Used
<p>Description: Code identifying the type of communication number</p> <p>Code List Summary (Total Codes: 40, Included: 1)</p> <p><u>Code</u> <u>Name</u></p> <p>TE Telephone</p>						
PER04	364	Communication Number	X	AN	1/80	Used
<p>Description: Complete communications number including country or area code when applicable</p>						

Syntax Rules:

1. P0304 - If either PER03 or PER04 is present, then the other is required.
2. P0506 - If either PER05 or PER06 is present, then the other is required.
3. P0708 - If either PER07 or PER08 is present, then the other is required.

ATH Resource Authorization

Pos: 230	Max: 20
Detail - Optional	
Loop: LIN	Elements: 4

User Option (Usage): Used

Purpose: To specify resource authorizations (i.e., finished labor, material, etc.) in the planning schedule

Element Summary:

<u>Ref</u>	<u>Id</u>	<u>Element Name</u>	<u>Req</u>	<u>Type</u>	<u>Min/Max</u>	<u>Usage</u>								
ATH01	672	Resource Authorization Code	M	ID	2/2	Must use								
		<p>Description: Code identifying the resource which the buyer is authorizing the seller to commit to</p> <p>Code List Summary (Total Codes: 8, Included: 3)</p> <table border="1"> <thead> <tr> <th><u>Code</u></th> <th><u>Name</u></th> </tr> </thead> <tbody> <tr> <td>FI</td> <td>Finished (Labor, Material, and Overhead/Burden)</td> </tr> <tr> <td>MT</td> <td>Material</td> </tr> <tr> <td>PQ</td> <td>Cumulative Quantity Required Prior to First Schedule Period</td> </tr> </tbody> </table>					<u>Code</u>	<u>Name</u>	FI	Finished (Labor, Material, and Overhead/Burden)	MT	Material	PQ	Cumulative Quantity Required Prior to First Schedule Period
<u>Code</u>	<u>Name</u>													
FI	Finished (Labor, Material, and Overhead/Burden)													
MT	Material													
PQ	Cumulative Quantity Required Prior to First Schedule Period													
ATH02	373	Date	X	DT	8/8	Used								
		<p>Description: Date expressed as CCYYMMDD</p>												
ATH03	380	Quantity	X	R	1/15	Used								
		<p>Description: Numeric value of quantity</p>												
ATH05	373	Date	X	DT	8/8	Used								
		<p>Description: Date expressed as CCYYMMDD</p>												

Syntax Rules:

1. R0203 - At least one of ATH02 or ATH03 is required.
2. C0305 - If ATH03 is present, then ATH05 is required.
3. C0405 - If ATH04 is present, then ATH05 is required.

Semantics:

1. ATH02 is the resource authorization through date: The date through which the buyer authorizes the seller to commit the resource defined in element ATH01.
2. ATH03 is the current cumulative requirements quantity: The cumulative quantity that has been authorized to date from the cumulative start date (ATH05) through the resource authorization through date (ATH02).
3. ATH05 is the cumulative start date: The date where the cumulative quantity count starts. This date might be the start date of a contract period, a calendar or fiscal year, or other.

Comments:

1. It is imperative that negotiations defining financial commitment have previously occurred and are agreed to by both buyer and seller.
2. ATH04 is the maximum cumulative requirements quantity: The maximum cumulative quantity that has been authorized to date from the cumulative start date (ATH05) through the resource authorization through date (ATH02). This is a high water mark. If the forecast decreases, the current cumulative requirements quantity also decreases, but the maximum cumulative requirements quantity does not decrease.

FST Forecast Schedule

Pos: 410	Max: 1
Detail - Optional	
Loop: FST	Elements: 4

User Option (Usage): Used

Purpose: To specify the forecasted dates and quantities

Element Summary:

<u>Ref</u>	<u>Id</u>	<u>Element Name</u>	<u>Req</u>	<u>Type</u>	<u>Min/Max</u>	<u>Usage</u>
FST01	380	Quantity	M	R	1/15	Must use
		Description: Numeric value of quantity				
FST02	680	Forecast Qualifier	M	ID	1/1	Must use
		Description: Code specifying the sender's confidence level of the forecast data or an action associated with a forecast				
		Code List Summary (Total Codes: 21, Included: 2)				
		<u>Code</u>	<u>Name</u>			
		C	Firm			
		D	Planning			
FST03	681	Forecast Timing Qualifier	M	ID	1/1	Must use
		Description: Code specifying interval grouping of the forecast				
		Code List Summary (Total Codes: 11, Included: 11)				
		<u>Code</u>	<u>Name</u>			
		A	Annually (Calendar Year)			
		C	Daily			
		D	Discrete			
		F	Flexible Interval (from Date X through Date Y)			
		M	Monthly Bucket (Calendar Months)			
		Q	Quarterly (Calendar Quarters)			
		S	Semi-Annually (Calendar Year)			
		T	Four week bucket (13 buckets per year)			
		W	Weekly Bucket (Monday through Sunday)			
		X	Weekly Bucket (7 day interval)			
		Z	Mutually Defined			
FST04	373	Date	M	DT	8/8	Must use
		Description: Date expressed as CCYYMMDD				

Syntax Rules:

1. P0607 - If either FST06 or FST07 is present, then the other is required.
2. P0809 - If either FST08 or FST09 is present, then the other is required.

Semantics:

1. If FST03 equals "F" (indicating flexible interval), then FST04 and FST05 are required. FST04 would be used for the start date of the flexible interval and FST05 would be used for the end date of the flexible interval.

Comments:

1. As qualified by FST02 and FST03, FST04 represents either a discrete forecast date, the first date of a forecasted bucket (weekly, monthly, quarterly, etc.) or the start date of a flexible interval.
2. FST06 qualifies the time in FST07. The purpose of the FST07 element is to express the specific time of day in a 24-hour clock to satisfy "just-in-time" requirements. As an alternative, the ship/delivery pattern segment (SDP) may be used to define an approximate time, such as a.m. or p.m.

SHP Shipped/Received Information

Pos: 470	Max: 1
Detail - Optional	
Loop: SHP	Elements: 4

User Option (Usage): Used

Purpose: To specify shipment and/or receipt information

Element Summary:

<u>Ref</u>	<u>Id</u>	<u>Element Name</u>	<u>Req</u>	<u>Type</u>	<u>Min/Max</u>	<u>Usage</u>						
SHP01	673	Quantity Qualifier	O	ID	2/2	Used						
<p>Description: Code specifying the type of quantity</p> <p>Code List Summary (Total Codes: 832, Included: 2)</p> <table border="1"> <thead> <tr> <th><u>Code</u></th> <th><u>Name</u></th> </tr> </thead> <tbody> <tr> <td>01</td> <td>Discrete Quantity</td> </tr> <tr> <td>02</td> <td>Cumulative Quantity</td> </tr> </tbody> </table>							<u>Code</u>	<u>Name</u>	01	Discrete Quantity	02	Cumulative Quantity
<u>Code</u>	<u>Name</u>											
01	Discrete Quantity											
02	Cumulative Quantity											
SHP02	380	Quantity	X	R	1/15	Used						
<p>Description: Numeric value of quantity</p>												
SHP03	374	Date/Time Qualifier	X	ID	3/3	Used						
<p>Description: Code specifying type of date or time, or both date and time</p> <p>Code List Summary (Total Codes: 1112, Included: 1)</p> <table border="1"> <thead> <tr> <th><u>Code</u></th> <th><u>Name</u></th> </tr> </thead> <tbody> <tr> <td>050</td> <td>Received</td> </tr> </tbody> </table>							<u>Code</u>	<u>Name</u>	050	Received		
<u>Code</u>	<u>Name</u>											
050	Received											
SHP04	373	Date	X	DT	8/8	Used						
<p>Description: Date expressed as CCYYMMDD</p>												

Syntax Rules:

1. C0102 - If SHP01 is present, then SHP02 is required.
2. L030405 - If SHP03 is present, then at least one of SHP04 or SHP05 is required.
3. C0403 - If SHP04 is present, then SHP03 is required.
4. C0503 - If SHP05 is present, then SHP03 is required.

Semantics:

1. SHP04 is the date shipped, delivered, received, or the cumulative quantity start date (as qualified by SHP03).
2. SHP06 is the cumulative quantity end date.

Comments:

1. The SHP segment is used to communicate shipment, delivery, or receipt information and may include discrete or cumulative quantities, dates, and times.
2. If SHP01 equals "02", "07", "08", "09", or "10" (indicating cumulative quantities), then SHP04 and SHP06 are required to identify the start and end dates of the quantity count.

BorgWarner Note::

SHP01 = 01 are the last deliveries received. There will be up to three of these depending on the number of shipments in our system
SHP02 = 02 is the cumulative quantity

REF Reference Identification

Pos: 480	Max: 5
Detail - Optional	
Loop: SHP	Elements: 2

User Option (Usage): Used

Purpose: To specify identifying information

Element Summary:

<u>Ref</u>	<u>Id</u>	<u>Element Name</u>	<u>Req</u>	<u>Type</u>	<u>Min/Max</u>	<u>Usage</u>
REF01	128	Reference Identification Qualifier	M	ID	2/3	Must use

Description: Code qualifying the Reference Identification

Code List Summary (Total Codes: 1503, Included: 1)

Code Name

SI Shipper's Identifying Number for Shipment (SID)

Description: *A unique number (to the shipper) assigned by the shipper to identify the shipment*

REF02	127	Reference Identification	X	AN	1/30	Used
-------	-----	--------------------------	---	----	------	------

Description: Reference information as defined for a particular Transaction Set or as specified by the Reference Identification Qualifier

Syntax Rules:

1. R0203 - At least one of REF02 or REF03 is required.

Semantics:

1. REF04 contains data relating to the value cited in REF02.

CTT Transaction Totals

Pos: 010	Max: 1
Summary - Optional	
Loop: N/A	Elements: 1

User Option (Usage): Used

Purpose: To transmit a hash total for a specific element in the transaction set

Element Summary:

<u>Ref</u>	<u>Id</u>	<u>Element Name</u>	<u>Req</u>	<u>Type</u>	<u>Min/Max</u>	<u>Usage</u>
CTT01	354	Number of Line Items	M	N0	1/6	Must use

Description: Total number of line items in the transaction set

Syntax Rules:

1. P0304 - If either CTT03 or CTT04 is present, then the other is required.
2. P0506 - If either CTT05 or CTT06 is present, then the other is required.

Comments:

1. This segment is intended to provide hash totals to validate transaction completeness and correctness.

SE Transaction Set Trailer

Pos: 020	Max: 1
Summary - Mandatory	
Loop: N/A	Elements: 2

User Option (Usage): Must use

Purpose: To indicate the end of the transaction set and provide the count of the transmitted segments (including the beginning (ST) and ending (SE) segments)

Element Summary:

<u>Ref</u>	<u>Id</u>	<u>Element Name</u>	<u>Req</u>	<u>Type</u>	<u>Min/Max</u>	<u>Usage</u>
SE01	96	Number of Included Segments	M	N0	1/10	Must use
		Description: Total number of segments included in a transaction set including ST and SE segments				
SE02	329	Transaction Set Control Number	M	AN	4/9	Must use
		Description: Identifying control number that must be unique within the transaction set functional group assigned by the originator for a transaction set				

Comments:

1. SE is the last segment of each transaction set.

GE Functional Group Trailer

Pos:	Max: 1
Not Defined - Mandatory	
Loop: N/A	Elements: 2

User Option (Usage): Must use

Purpose: To indicate the end of a functional group and to provide control information

Element Summary:

<u>Ref</u>	<u>Id</u>	<u>Element Name</u>	<u>Req</u>	<u>Type</u>	<u>Min/Max</u>	<u>Usage</u>
GE01	97	Number of Transaction Sets Included	M	N0	1/6	Must use
		Description: Total number of transaction sets included in the functional group or interchange (transmission) group terminated by the trailer containing this data element				
GE02	28	Group Control Number	M	N0	1/9	Must use
		Description: Assigned number originated and maintained by the sender				

Semantics:

1. The data interchange control number GE02 in this trailer must be identical to the same data element in the associated functional group header, GS06.

Comments:

1. The use of identical data interchange control numbers in the associated functional group header and trailer is designed to maximize functional group integrity. The control number is the same as that used in the corresponding header.

IEA Interchange Control Trailer

Pos:	Max: 1
Not Defined - Mandatory	
Loop: N/A	Elements: 2

User Option (Usage): Must use

Purpose: To define the end of an interchange of zero or more functional groups and interchange-related control segments

Element Summary:

Ref	Id	Element Name	Req	Type	Min/Max	Usage
IEA01	I16	Number of Included Functional Groups	M	N0	1/5	Must use
		Description: A count of the number of functional groups included in an interchange				
IEA02	I12	Interchange Control Number	M	N0	9/9	Must use
		Description: A control number assigned by the interchange sender				

BorgWarner Note::

Sample Data:

```

ISA*00*      *00*      *ZZ*005457221  *01*004312401  *190325*1735*U*00401*100039717*0*P*|~
GS*PS*005457221*004312401*20190325*1735*100039717*X*004010~
ST*830*0001~
BFR*05*20190325173130*394*DL*A*20190301**20190325~
N1*MI*BORGWARNER - Bellwood*1*005457221~
PER*IC*NAME*TE*555-547-2642~
N1*SU*VENDOR NAME*92*105292~
N3*100 ANYWHERE ST~
N4*PORTER*IN*46304*US~
N1*ST**92*5100~
N3*700 25th Avenue~
N4*Bellwood*IL *60104*US~
REF*DK*RCV~
LIN*00010*BP*33762RS*PO*5500021022*EC*A~
UIT*LB~
PID*F***RAW STEEL - CR 20 / 0.0315" / 10.40~
PER*BD*NAME*TE*555-547-2642~
ATH*PQ*20190801*3579567**20190324~
ATH*FI*20190612~
ATH*MT*20190710~
FST*92430*C*D*20190301~
FST*186000*C*D*20190401~
FST*186000*C*D*20190501~
FST*186000*C*D*20190601~
FST*8500*C*D*20190601~
FST*178500*C*D*20190701~
FST*93500*C*D*20190801~
SHP*01*2660*050*20190514~
REF*SI*46844147~
SHP*01*3040*050*20190507~
REF*SI*46811676~
SHP*01*4180*050*20190429~
REF*SI*46771207~
SHP*02*2648637*051*20120101**20190324~
CTT*1~
    
```

SE*34*0001~
GE*1*100039717~
IEA*1*100039717~