



856 Ship Notice/Manifest

X12/V4010/856 : 856 Ship Notice/Manifest

Version: 1.0 Draft

Author:	Pauline Flanigan
Publication:	5/31/2018
Created:	5/31/2018
Modified:	5/31/2018

Table of Contents

856 Ship Notice/Manifest	1
Branching Diagram - 1	3
Branching Diagram - 2	4
ISA Interchange Control Header	5
GS Functional Group Header	8
ST Transaction Set Header	10
BSN Beginning Segment for Ship Notice	11
DTM Date/Time Reference	12
HL Hierarchical Level	13
REF Reference Identification	14
N1 Name	15
HL Hierarchical Level	16
LIN Item Identification	17
SN1 Item Detail (Shipment)	18
PRF Purchase Order Reference	19
CTT Transaction Totals	20
SE Transaction Set Trailer	21
GE Functional Group Trailer	22
IEA Interchange Control Trailer	23

856 Ship Notice/Manifest

Functional Group=SH

Purpose: This Draft Standard for Trial Use contains the format and establishes the data contents of the Ship Notice/Manifest Transaction Set (856) for use within the context of an Electronic Data Interchange (EDI) environment. The transaction set can be used to list the contents of a shipment of goods as well as additional information relating to the shipment, such as order information, product description, physical characteristics, type of packaging, marking, carrier information, and configuration of goods within the transportation equipment. The transaction set enables the sender to describe the contents and configuration of a shipment in various levels of detail and provides an ordered flexibility to convey information. The sender of this transaction is the organization responsible for detailing and communicating the contents of a shipment, or shipments, to one or more receivers of the transaction set. The receiver of this transaction set can be any organization having an interest in the contents of a shipment or information about the contents of a shipment.

Heading:

<u>Pos</u>	<u>Id</u>	<u>Segment Name</u>	<u>Req</u>	<u>Max Use</u>	<u>Repeat</u>	<u>Notes</u>	<u>Usage</u>
	ISA	Interchange Control Header	M	1			Must use
	GS	Functional Group Header	M	1			Must use
010	ST	Transaction Set Header	M	1			Must use
020	BSN	Beginning Segment for Ship Notice	M	1			Must use
040	DTM	Date/Time Reference	M	10			Must use

Detail:

<u>Pos</u>	<u>Id</u>	<u>Segment Name</u>	<u>Req</u>	<u>Max Use</u>	<u>Repeat</u>	<u>Notes</u>	<u>Usage</u>
LOOP ID - HL					1	CN2/010L	
010	HL	Hierarchical Level	M	1		C2/010	Must use
150	REF	Reference Identification	O	>1			Used
LOOP ID - N1					200		
220	N1	Name	M	1			Must use
LOOP ID - HL					200000	CN2/010L	
010	HL	Hierarchical Level	M	1		C2/010	Must use
020	LIN	Item Identification	M	1			Must use
030	SN1	Item Detail (Shipment)	M	1			Must use
050	PRF	Purchase Order Reference	M	1			Must use

Summary:

<u>Pos</u>	<u>Id</u>	<u>Segment Name</u>	<u>Req</u>	<u>Max Use</u>	<u>Repeat</u>	<u>Notes</u>	<u>Usage</u>
010	CTT	Transaction Totals	M	1		N3/010	Used
020	SE	Transaction Set Trailer	M	1			Must use
	GE	Functional Group Trailer	M	1			Must use
	IEA	Interchange Control Trailer	M	1			Must use

Notes:

2/010L Shipment Level

2/010L Item Level

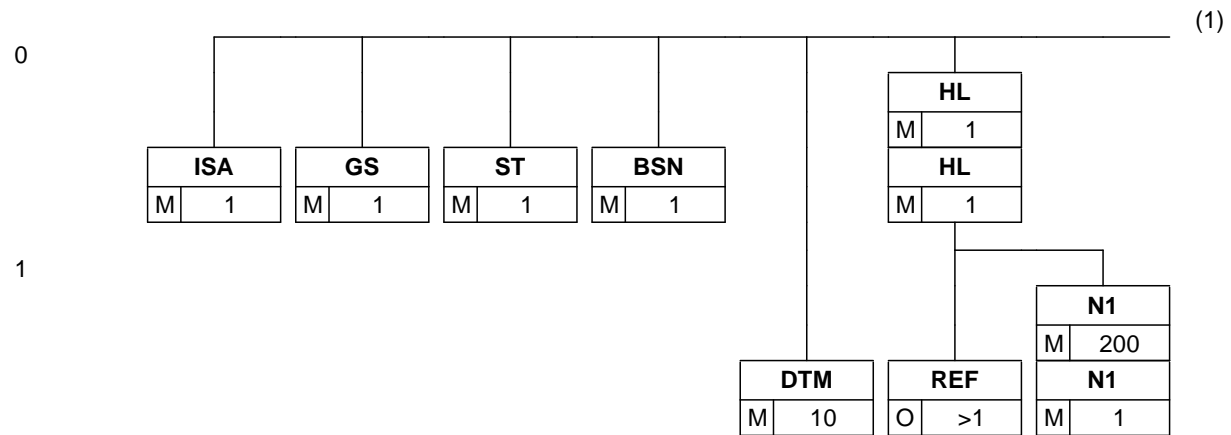
3/010 Number of line items (CTT01) is the accumulation of the number of HL segments. If used, hash total (CTT02) is the sum of the value of units shipped (SN102) for each SN1 segment.

Comments:

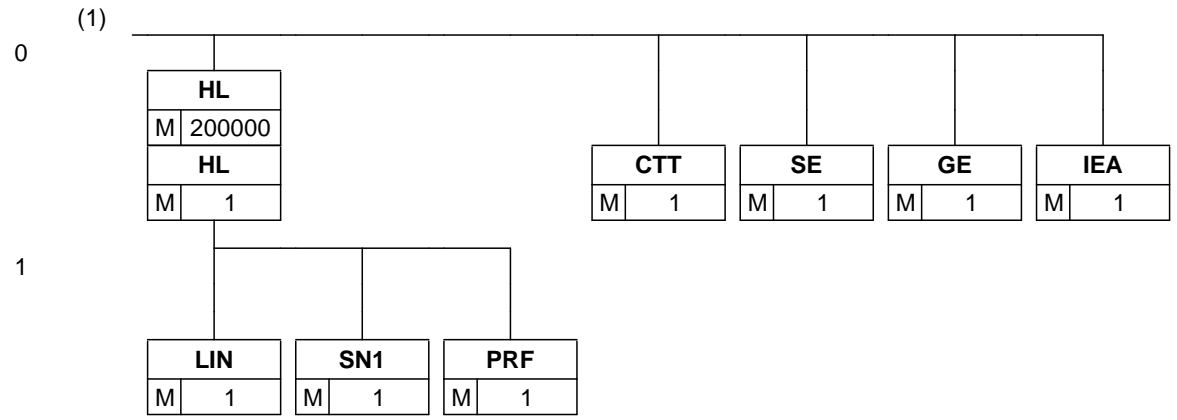
- 2/010L The HL segment is the only mandatory segment within the HL loop, and by itself, the HL segment has no meaning.
- 2/010 The HL segment is the only mandatory segment within the HL loop, and by itself, the HL segment has no meaning.
- 2/010L The HL segment is the only mandatory segment within the HL loop, and by itself, the HL segment has no meaning.
- 2/010 The HL segment is the only mandatory segment within the HL loop, and by itself, the HL segment has no meaning.

BorgWarner Note:***Change Log:******2018-05-31 Pauline Flanigan Initial Version***

Branching Diagram: 856(Ship Notice/Manifest)



Branching Diagram: 856(Ship Notice/Manifest)



ISA Interchange Control Header

Pos:	Max: 1
Heading - Mandatory	
Loop: N/A	Elements: 16

User Option (Usage): Must use

Purpose: To start and identify an interchange of zero or more functional groups and interchange-related control segments

Element Summary:

<u>Ref</u>	<u>Id</u>	<u>Element Name</u>	<u>Req</u>	<u>Type</u>	<u>Min/Max</u>	<u>Usage</u>
ISA01	I01	Authorization Information Qualifier	M	ID	2/2	Must use

Description: Code to identify the type of information in the Authorization Information

CodeList Summary (Total Codes: 7, Included: 1)

Code Name

00 No Authorization Information Present (No Meaningful Information in I02)

ISA02	I02	Authorization Information	O	AN	10/10	Used
-------	-----	----------------------------------	---	----	-------	------

Description: Information used for additional identification or authorization of the interchange sender or the data in the interchange; the type of information is set by the Authorization Information Qualifier (I01)

ISA03	I03	Security Information Qualifier	M	ID	2/2	Must use
-------	-----	---------------------------------------	---	----	-----	----------

Description: Code to identify the type of information in the Security Information

CodeList Summary (Total Codes: 2, Included: 1)

Code Name

00 No Security Information Present (No Meaningful Information in I04)

ISA04	I04	Security Information	O	AN	10/10	Used
-------	-----	-----------------------------	---	----	-------	------

Description: This is used for identifying the security information about the interchange sender or the data in the interchange; the type of information is set by the Security Information Qualifier (I03)

ISA05	I05	Interchange ID Qualifier	M	ID	2/2	Must use
-------	-----	---------------------------------	---	----	-----	----------

Description: Qualifier to designate the system/method of code structure used to designate the sender or receiver ID element being qualified

CodeList Summary (Total Codes: 38, Included: 2)

Code Name

01 Duns (Dun & Bradstreet)
 ZZ Mutually Defined

<u>Ref</u>	<u>Id</u>	<u>Element Name</u>	<u>Req</u>	<u>Type</u>	<u>Min/Max</u>	<u>Usage</u>
ISA06	I06	Interchange Sender ID	M	AN	15/15	Must use
		Description: Identification code published by the sender for other parties to use as the receiver ID to route data to them; the sender always codes this value in the sender ID element				
ISA07	I05	Interchange ID Qualifier	M	ID	2/2	Must use
		Description: Qualifier to designate the system/method of code structure used to designate the sender or receiver ID element being qualified				
		CodeList Summary (Total Codes: 38, Included: 2)				
		Code Name				
		01 Duns (Dun & Bradstreet)				
		ZZ Mutually Defined				
ISA08	I07	Interchange Receiver ID	M	AN	15/15	Must use
		Description: Identification code published by the receiver of the data; When sending, it is used by the sender as their sending ID, thus other parties sending to them will use this as a receiving ID to route data to them				
ISA09	I08	Interchange Date	M	DT	6/6	Must use
		Description: Date of the interchange				
ISA10	I09	Interchange Time	M	TM	4/4	Must use
		Description: Time of the interchange				
ISA11	I10	Interchange Control Standards Identifier	M	ID	1/1	Must use
		Description: Code to identify the agency responsible for the control standard used by the message that is enclosed by the interchange header and trailer				
		CodeList Summary (Total Codes: 1, Included: 1)				
		Code Name				
		U U.S. EDI Community of ASC X12, TDCC, and UCS				
ISA12	I11	Interchange Control Version Number	M	ID	5/5	Must use
		Description: Code specifying the version number of the interchange control segments				
		CodeList Summary (Total Codes: 14, Included: 1)				
		Code Name				
		00401 Draft Standards for Trial Use Approved for Publication by ASC X12 Procedures Review Board through October 1997				

<u>Ref</u>	<u>Id</u>	<u>Element Name</u>	<u>Req</u>	<u>Type</u>	<u>Min/Max</u>	<u>Usage</u>
ISA13	I12	Interchange Control Number	M	N0	9/9	Must use
		Description: A control number assigned by the interchange sender				
ISA14	I13	Acknowledgment Requested	M	ID	1/1	Must use
		Description: Code sent by the sender to request an interchange acknowledgment (TA1)				
		CodeList Summary (Total Codes: 2, Included: 1)				
		Code Name				
		0 No Acknowledgment Requested				
ISA15	I14	Usage Indicator	M	ID	1/1	Must use
		Description: Code to indicate whether data enclosed by this interchange envelope is test, production or information				
		CodeList Summary (Total Codes: 3, Included: 2)				
		Code Name				
		P Production Data				
		T Test Data				
ISA16	I15	Component Element Separator	M		1/1	Must use
		Description: Type is not applicable; the component element separator is a delimiter and not a data element; this field provides the delimiter used to separate component data elements within a composite data structure; this value must be different than the data element separator and the segment terminator				

GS Functional Group Header

Pos:	Max: 1
Heading - Mandatory	
Loop: N/A	Elements: 8

User Option (Usage): Must use

Purpose: To indicate the beginning of a functional group and to provide control information

Element Summary:

<u>Ref</u>	<u>Id</u>	<u>Element Name</u>	<u>Req</u>	<u>Type</u>	<u>Min/Max</u>	<u>Usage</u>
GS01	479	Functional Identifier Code	M	ID	2/2	Must use
		Description: Code identifying a group of application related transaction sets				
		CodeList Summary (Total Codes: 240, Included: 1)				
		Code Name				
		SH Ship Notice/Manifest (856)				
GS02	142	Application Sender's Code	M	AN	2/15	Must use
		Description: Code identifying party sending transmission; codes agreed to by trading partners				
GS03	124	Application Receiver's Code	M	AN	2/15	Must use
		Description: Code identifying party receiving transmission; codes agreed to by trading partners				
GS04	373	Date	M	DT	8/8	Must use
		Description: Date expressed as CCYYMMDD				
GS05	337	Time	M	TM	4/8	Must use
		Description: Time expressed in 24-hour clock time as follows: HHMM, or HHMMSS, or HHMMSSD, or HHMMSSDD, where H = hours (00-23), M = minutes (00-59), S = integer seconds (00-59) and DD = decimal seconds; decimal seconds are expressed as follows: D = tenths (0-9) and DD = hundredths (00-99)				
GS06	28	Group Control Number	M	N0	1/9	Must use
		Description: Assigned number originated and maintained by the sender				
GS07	455	Responsible Agency Code	M	ID	1/2	Must use
		Description: Code identifying the issuer of the standard; this code is used in conjunction with Data Element 480				
		CodeList Summary (Total Codes: 2, Included: 1)				

		<u>Code</u>	<u>Name</u>				
		X	Accredited Standards Committee X12				
GS08	480	Version / Release / Industry Identifier Code	M	AN	1/12	Must use	

Description: Code indicating the version, release, subrelease, and industry identifier of the EDI standard being used, including the GS and GE segments; if code in DE455 in GS segment is X, then in DE 480 positions 1-3 are the version number; positions 4-6 are the release and subrelease, level of the version; and positions 7-12 are the industry or trade association identifiers (optionally assigned by user); if code in DE455 in GS segment is T, then other formats are allowed

CodeList Summary (Total Codes: 39, Included: 1)

<u>Code</u>	<u>Name</u>
004010	Draft Standards Approved for Publication by ASC X12 Procedures Review Board through October 1997

Semantics:

1. GS04 is the group date.
2. GS05 is the group time.
3. The data interchange control number GS06 in this header must be identical to the same data element in the associated functional group trailer, GE02.

Comments:

1. A functional group of related transaction sets, within the scope of X12 standards, consists of a collection of similar transaction sets enclosed by a functional group header and a functional group trailer.

ST Transaction Set Header

Pos: 010	Max: 1
Heading - Mandatory	
Loop: N/A	Elements: 2

User Option (Usage): Must use

Purpose: To indicate the start of a transaction set and to assign a control number

Element Summary:

<u>Ref</u>	<u>Id</u>	<u>Element Name</u>	<u>Req</u>	<u>Type</u>	<u>Min/Max</u>	<u>Usage</u>
ST01	143	Transaction Set Identifier Code	M	ID	3/3	Must use
		Description: Code uniquely identifying a Transaction Set				
		CodeList Summary (Total Codes: 298, Included: 1)				
		Code Name				
		856 Ship Notice/Manifest				
ST02	329	Transaction Set Control Number	M	AN	4/9	Must use
		Description: Identifying control number that must be unique within the transaction set functional group assigned by the originator for a transaction set				

Semantics:

1. The transaction set identifier (ST01) used by the translation routines of the interchange partners to select the appropriate transaction set definition (e.g., 810 selects the Invoice Transaction Set).

BSN Beginning Segment for Ship Notice

Pos: 020	Max: 1
Heading - Mandatory	
Loop: N/A	Elements: 4

User Option (Usage): Must use

Purpose: To transmit identifying numbers, dates, and other basic data relating to the transaction set

Element Summary:

<u>Ref</u>	<u>Id</u>	<u>Element Name</u>	<u>Req</u>	<u>Type</u>	<u>Min/Max</u>	<u>Usage</u>				
BSN01	353	Transaction Set Purpose Code	M	ID	2/2	Must use				
<p>Description: Code identifying purpose of transaction set</p> <p>BorgWarner Note: <i>00 For Original only.</i></p> <p>CodeList Summary (Total Codes: 65, Included: 1)</p> <table border="1"> <thead> <tr> <th><u>Code</u></th> <th><u>Name</u></th> </tr> </thead> <tbody> <tr> <td>00</td> <td>Original</td> </tr> </tbody> </table>							<u>Code</u>	<u>Name</u>	00	Original
<u>Code</u>	<u>Name</u>									
00	Original									
BSN02	396	Shipment Identification	M	AN	2/30	Must use				
<p>Description: A unique control number assigned by the original shipper to identify a specific shipment</p> <p>BorgWarner Note: <i>Unique supplier-assigned number that is not repeated within a one year period.</i></p>										
BSN03	373	Date	M	DT	8/8	Must use				
<p>Description: Date expressed as CCYYMMDD</p>										
BSN04	337	Time	M	TM	4/8	Must use				
<p>Description: Time expressed in 24-hour clock time as follows: HHMM, or HHMMSS, or HHMMSSD, or HHMMSSDD, where H = hours (00-23), M = minutes (00-59), S = integer seconds (00-59) and DD = decimal seconds; decimal seconds are expressed as follows: D = tenths (0-9) and DD = hundredths (00-99)</p>										

Semantics:

1. BSN03 is the date the shipment transaction set is created.
2. BSN04 is the time the shipment transaction set is created.
3. BSN06 is limited to shipment related codes.

Comments:

1. BSN06 and BSN07 differentiate the functionality of use for the transaction set.

DTM Date/Time Reference

Pos: 040	Max: 10
Heading - Mandatory	
Loop: N/A	Elements: 3

User Option (Usage): Must use

Purpose: To specify pertinent dates and times

Element Summary:

<u>Ref</u>	<u>Id</u>	<u>Element Name</u>	<u>Req</u>	<u>Type</u>	<u>Min/Max</u>	<u>Usage</u>						
DTM01	374	Date/Time Qualifier	M	ID	3/3	Must use						
<p>Description: Code specifying type of date or time, or both date and time</p> <p>BorgWarner Note: <i>Both Shipped (011) and Estimated (017) are Mandatory</i></p> <p>CodeList Summary (Total Codes: 1112, Included: 2)</p> <table border="1"> <thead> <tr> <th><u>Code</u></th> <th><u>Name</u></th> </tr> </thead> <tbody> <tr> <td>011</td> <td>Shipped</td> </tr> <tr> <td>017</td> <td>Estimated Delivery</td> </tr> </tbody> </table>							<u>Code</u>	<u>Name</u>	011	Shipped	017	Estimated Delivery
<u>Code</u>	<u>Name</u>											
011	Shipped											
017	Estimated Delivery											
DTM02	373	Date	X	DT	8/8	Used						
<p>Description: Date expressed as CCYYMMDD</p>												
DTM03	337	Time	X	TM	4/8	Used						
<p>Description: HHMM</p> <p>BorgWarner Note: <i>HHMM or HHMMSS Only</i></p>												

HL Hierarchical Level

Pos: 010	Max: 1
Detail - Mandatory	
Loop: HL	Elements: 2

User Option (Usage): Must use

Purpose: To identify dependencies among and the content of hierarchically related groups of data segments

Element Summary:

<u>Ref</u>	<u>Id</u>	<u>Element Name</u>	<u>Req</u>	<u>Type</u>	<u>Min/Max</u>	<u>Usage</u>
HL01	628	Hierarchical ID Number	M	AN	1/12	Must use

Description: A unique number assigned by the sender to identify a particular data segment in a hierarchical structure

BorgWarner Note: Use "1" for this occurrence of the HL at the Shipment Level.

HL03	735	Hierarchical Level Code	M	ID	1/2	Must use
------	-----	-------------------------	---	----	-----	----------

Description: Code defining the characteristic of a level in a hierarchical structure

CodeList Summary (Total Codes: 170, Included: 1)

<u>Code</u>	<u>Name</u>
S	Shipment

Comments:

1. The HL segment is used to identify levels of detail information using a hierarchical structure, such as relating line-item data to shipment data, and packaging data to line-item data.
2. The HL segment defines a top-down/left-right ordered structure.
3. HL01 shall contain a unique alphanumeric number for each occurrence of the HL segment in the transaction set. For example, HL01 could be used to indicate the number of occurrences of the HL segment, in which case the value of HL01 would be "1" for the initial HL segment and would be incremented by one in each subsequent HL segment within the transaction.
4. HL02 identifies the hierarchical ID number of the HL segment to which the current HL segment is subordinate.
5. HL03 indicates the context of the series of segments following the current HL segment up to the next occurrence of an HL segment in the transaction. For example, HL03 is used to indicate that subsequent segments in the HL loop form a logical grouping of data referring to shipment, order, or item-level information.
6. HL04 indicates whether or not there are subordinate (or child) HL segments related to the current HL segment.

REF Reference Identification

Pos: 150	Max: >1
Detail - Optional	
Loop: HL	Elements: 2

User Option (Usage): Used

Purpose: To specify identifying information

Element Summary:

<u>Ref</u>	<u>Id</u>	<u>Element Name</u>	<u>Req</u>	<u>Type</u>	<u>Min/Max</u>	<u>Usage</u>
REF01	128	Reference Identification Qualifier	M	ID	2/3	Must use
		Description: Code qualifying the Reference Identification				
		CodeList Summary (Total Codes: 1503, Included: 1)				
		Code Name				
		BM Bill of Lading Number				
REF02	127	Reference Identification	X	AN	1/30	Used
		Description: Reference information as defined for a particular Transaction Set or as specified by the Reference Identification Qualifier				

Semantics:

- REF04 contains data relating to the value cited in REF02.

N1 Name

Pos: 220	Max: 1
Detail - Mandatory	
Loop: N1	Elements: 4

User Option (Usage): Must use

Purpose: To identify a party by type of organization, name, and code

Element Summary:

<u>Ref</u>	<u>Id</u>	<u>Element Name</u>	<u>Req</u>	<u>Type</u>	<u>Min/Max</u>	<u>Usage</u>						
N101	98	Entity Identifier Code	M	ID	2/3	Must use						
<p>Description: Code identifying an organizational entity, a physical location, property or an individual</p> <p>CodeList Summary (Total Codes: 1312, Included: 2)</p> <table border="1"> <thead> <tr> <th><u>Code</u></th> <th><u>Name</u></th> </tr> </thead> <tbody> <tr> <td>ST</td> <td>Ship To</td> </tr> <tr> <td>SU</td> <td>Supplier/Manufacturer</td> </tr> </tbody> </table>							<u>Code</u>	<u>Name</u>	ST	Ship To	SU	Supplier/Manufacturer
<u>Code</u>	<u>Name</u>											
ST	Ship To											
SU	Supplier/Manufacturer											
N102	93	Name	X	AN	1/60	Used						
<p>Description: Free-form name</p>												
N103	66	Identification Code Qualifier	M	ID	1/2	Must use						
<p>Description: Code designating the system/method of code structure used for Identification Code (67)</p> <p>CodeList Summary (Total Codes: 215, Included: 2)</p> <table border="1"> <thead> <tr> <th><u>Code</u></th> <th><u>Name</u></th> </tr> </thead> <tbody> <tr> <td>92</td> <td>Assigned by Buyer or Buyer's Agent</td> </tr> <tr> <td>ZZ</td> <td>Mutually Defined</td> </tr> </tbody> </table>							<u>Code</u>	<u>Name</u>	92	Assigned by Buyer or Buyer's Agent	ZZ	Mutually Defined
<u>Code</u>	<u>Name</u>											
92	Assigned by Buyer or Buyer's Agent											
ZZ	Mutually Defined											
N104	67	Identification Code	M	AN	2/80	Must use						
<p>Description: Code identifying a party or other code</p>												

Syntax Rules:

1. R0203 - At least one of N102 or N103 is required.
2. P0304 - If either N103 or N104 is present, then the other is required.

Comments:

1. This segment, used alone, provides the most efficient method of providing organizational identification. To obtain this efficiency the "ID Code" (N104) must provide a key to the table maintained by the transaction processing party.
2. N105 and N106 further define the type of entity in N101.

HL Hierarchical Level

Pos: 010	Max: 1
Detail - Mandatory	
Loop: HL	Elements: 4

User Option (Usage): Must use

Purpose: To identify dependencies among and the content of hierarchically related groups of data segments

Element Summary:

<u>Ref</u>	<u>Id</u>	<u>Element Name</u>	<u>Req</u>	<u>Type</u>	<u>Min/Max</u>	<u>Usage</u>
HL01	628	Hierarchical ID Number	M	AN	1/12	Must use
		Description: A unique number assigned by the sender to identify a particular data segment in a hierarchical structure				
HL02	734	Hierarchical Parent ID Number	O	AN	1/12	Used
		Description: Identification number of the next higher hierarchical data segment that the data segment being described is subordinate to				
HL03	735	Hierarchical Level Code	M	ID	1/2	Must use
		Description: Code defining the characteristic of a level in a hierarchical structure				
		CodeList Summary (Total Codes: 170, Included: 1)				
		Code Name				
		I		Item		
HL04	736	Hierarchical Child Code	O	ID	1/1	Used
		Description: Code indicating if there are hierarchical child data segments subordinate to the level being described				
		CodeList Summary (Total Codes: 2, Included: 2)				
		Code Name				
		0		No Subordinate HL Segment in This Hierarchical Structure.		
		1		Additional Subordinate HL Data Segment in This Hierarchical Structure.		

Comments:

1. The HL segment is used to identify levels of detail information using a hierarchical structure, such as relating line-item data to shipment data, and packaging data to line-item data.
2. The HL segment defines a top-down/left-right ordered structure.
3. HL01 shall contain a unique alphanumeric number for each occurrence of the HL segment in the transaction set. For example, HL01 could be used to indicate the number of occurrences of the HL segment, in which case the value of HL01 would be "1" for the initial HL segment and would be incremented by one in each subsequent HL segment within the transaction.
4. HL02 identifies the hierarchical ID number of the HL segment to which the current HL segment is subordinate.
5. HL03 indicates the context of the series of segments following the current HL segment up to the next occurrence of an HL segment in the transaction. For example, HL03 is used to indicate that subsequent segments in the HL loop form a logical grouping of data referring to shipment, order, or item-level information.
6. HL04 indicates whether or not there are subordinate (or child) HL segments related to the current HL segment.

LIN Item Identification

Pos: 020	Max: 1
Detail - Mandatory	
Loop: HL	Elements: 4

User Option (Usage): Must use

Purpose: To specify basic item identification data

Element Summary:

<u>Ref</u>	<u>Id</u>	<u>Element Name</u>	<u>Req</u>	<u>Type</u>	<u>Min/Max</u>	<u>Usage</u>				
LIN02	235	Product/Service ID Qualifier	M	ID	2/2	Must use				
<p>Description: Code identifying the type/source of the descriptive number used in Product/Service ID (234)</p> <p>CodeList Summary (Total Codes: 477, Included: 1)</p> <table border="1"> <thead> <tr> <th><u>Code</u></th> <th><u>Name</u></th> </tr> </thead> <tbody> <tr> <td>BP</td> <td>Buyer's Part Number</td> </tr> </tbody> </table>							<u>Code</u>	<u>Name</u>	BP	Buyer's Part Number
<u>Code</u>	<u>Name</u>									
BP	Buyer's Part Number									
LIN03	234	Product/Service ID	M	AN	1/48	Must use				
<p>Description: Identifying number for a product or service</p>										
LIN04	235	Product/Service ID Qualifier	X	ID	2/2	Used				
<p>Description: Code identifying the type/source of the descriptive number used in Product/Service ID (234)</p> <p>CodeList Summary (Total Codes: 477, Included: 1)</p> <table border="1"> <thead> <tr> <th><u>Code</u></th> <th><u>Name</u></th> </tr> </thead> <tbody> <tr> <td>VP</td> <td>Vendor's (Seller's) Part Number</td> </tr> </tbody> </table>							<u>Code</u>	<u>Name</u>	VP	Vendor's (Seller's) Part Number
<u>Code</u>	<u>Name</u>									
VP	Vendor's (Seller's) Part Number									
LIN05	234	Product/Service ID	X	AN	1/48	Used				
<p>Description: Identifying number for a product or service</p>										

Syntax Rules:

1. P0203 - If either LIN02 or LIN03 is present, then the other is required.
2. P0405 - If either LIN04 or LIN05 is present, then the other is required.

Semantics:

1. LIN01 is the line item identification

Comments:

1. See the Data Dictionary for a complete list of IDs.
2. LIN02 through LIN31 provide for fifteen different product/service IDs for each item. For example: Case, Color, Drawing No., U.P.C. No., ISBN No., Model No., or SKU.

SN1 Item Detail (Shipment)

Pos: 030	Max: 1
Detail - Mandatory	
Loop: HL	Elements: 2

User Option (Usage): Must use

Purpose: To specify line-item detail relative to shipment

Element Summary:

<u>Ref</u>	<u>Id</u>	<u>Element Name</u>	<u>Req</u>	<u>Type</u>	<u>Min/Max</u>	<u>Usage</u>
SN102	382	Number of Units Shipped	M	R	1/10	Must use

Description: Numeric value of units shipped in manufacturer's shipping units for a line item or transaction set

SN103	355	Unit or Basis for Measurement Code	M	ID	2/2	Must use
-------	-----	---	---	----	-----	----------

Description: Code specifying the units in which a value is being expressed, or manner in which a measurement has been taken

BorgWarner Note: *Must match the UOM Value received on the Release (830) from BorgWarner*

CodeList Summary (Total Codes: 794, Included: 15)

<u>Code</u>	<u>Name</u>
BX	Box
CA	Case
CT	Carton
EA	Each
FT	Foot
GA	Gallon
GR	Gram
KG	Kilogram
LB	Pound
LT	Liter
MR	Meter
PK	Package
RL	Roll
SF	Square Foot
YD	Yard

Semantics:

1. SN101 is the ship notice line-item identification.

Comments:

1. SN103 defines the unit of measurement for both SN102 and SN104.

PRF Purchase Order Reference

Pos: 050	Max: 1
Detail - Mandatory	
Loop: HL	Elements: 2

User Option (Usage): Must use

Purpose: To provide reference to a specific purchase order

Element Summary:

<u>Ref</u>	<u>Id</u>	<u>Element Name</u>	<u>Req</u>	<u>Type</u>	<u>Min/Max</u>	<u>Usage</u>
PRF01	324	Purchase Order Number	M	AN	1/22	Must use
		Description: Identifying number for Purchase Order assigned by the orderer/purchaser				
PRF05	350	Assigned Identification	M	AN	1/20	Used
		Description: Alphanumeric characters assigned for differentiation within a transaction set				
		BorgWarner Note: <i>Must match the PO Line item number received on the Release (830) from BorgWarner</i>				

Semantics:

1. PRF04 is the date assigned by the purchaser to purchase order.

CTT Transaction Totals

Pos: 010	Max: 1
Summary - Mandatory	
Loop: N/A	Elements: 1

User Option (Usage): Used

Purpose: To transmit a hash total for a specific element in the transaction set

Element Summary:

<u>Ref</u>	<u>Id</u>	<u>Element Name</u>	<u>Req</u>	<u>Type</u>	<u>Min/Max</u>	<u>Usage</u>
CTT01	354	Number of Line Items	M	N0	1/6	Must use

Description: Total number of line items in the transaction set

Syntax Rules:

1. P0304 - If either CTT03 or CTT04 is present, then the other is required.
2. P0506 - If either CTT05 or CTT06 is present, then the other is required.

Comments:

1. This segment is intended to provide hash totals to validate transaction completeness and correctness.

SE Transaction Set Trailer

Pos: 020	Max: 1
Summary - Mandatory	
Loop: N/A	Elements: 2

User Option (Usage): Must use

Purpose: To indicate the end of the transaction set and provide the count of the transmitted segments (including the beginning (ST) and ending (SE) segments)

Element Summary:

<u>Ref</u>	<u>Id</u>	<u>Element Name</u>	<u>Req</u>	<u>Type</u>	<u>Min/Max</u>	<u>Usage</u>
SE01	96	Number of Included Segments	M	N0	1/10	Must use
		Description: Total number of segments included in a transaction set including ST and SE segments				
SE02	329	Transaction Set Control Number	M	AN	4/9	Must use
		Description: Identifying control number that must be unique within the transaction set functional group assigned by the originator for a transaction set				

Comments:

1. SE is the last segment of each transaction set.

GE Functional Group Trailer

Pos:	Max: 1
Summary - Mandatory	
Loop: N/A	Elements: 2

User Option (Usage): Must use

Purpose: To indicate the end of a functional group and to provide control information

Element Summary:

<u>Ref</u>	<u>Id</u>	<u>Element Name</u>	<u>Req</u>	<u>Type</u>	<u>Min/Max</u>	<u>Usage</u>
GE01	97	Number of Transaction Sets Included	M	N0	1/6	Must use
		Description: Total number of transaction sets included in the functional group or interchange (transmission) group terminated by the trailer containing this data element				
GE02	28	Group Control Number	M	N0	1/9	Must use
		Description: Assigned number originated and maintained by the sender				

Semantics:

1. The data interchange control number GE02 in this trailer must be identical to the same data element in the associated functional group header, GS06.

Comments:

1. The use of identical data interchange control numbers in the associated functional group header and trailer is designed to maximize functional group integrity. The control number is the same as that used in the corresponding header.

IEA Interchange Control Trailer

Pos:	Max: 1
Summary - Mandatory	
Loop: N/A	Elements: 2

User Option (Usage): Must use

Purpose: To define the end of an interchange of zero or more functional groups and interchange-related control segments

Element Summary:

<u>Ref</u>	<u>Id</u>	<u>Element Name</u>	<u>Req</u>	<u>Type</u>	<u>Min/Max</u>	<u>Usage</u>
IEA01	I16	Number of Included Functional Groups	M	N0	1/5	Must use
<p>Description: A count of the number of functional groups included in an interchange</p>						
IEA02	I12	Interchange Control Number	M	N0	9/9	Must use
<p>Description: A control number assigned by the interchange sender</p>						

BorgWarner Note:

Sample Data:

```

ISA*00*      *00*      *ZZ*SENDER      *01*RECEIVER      *180522*1330*U*00401*000000007*0*P*:-~
GS*SH*SENDER*RECEIVER*20180522*1330*7*X*004010~
ST*856*70001~
BSN*00*09385220*20180206*131903~
DTM*011*20190508*131903~
DTM*017*20190523*170000~
HL*1**S~
REF*BM*821616~
N1*ST**92*5700~
N1*SU**92*107987~
HL*2*1*I~
LIN**BP*10300033A*VP*0075580-00-000~
SN1**10000*EA~
PRF*5500019433****00010~
CTT*2~
SE*14*70001~
GE*1*7~
IEA*1*000000007~
    
```